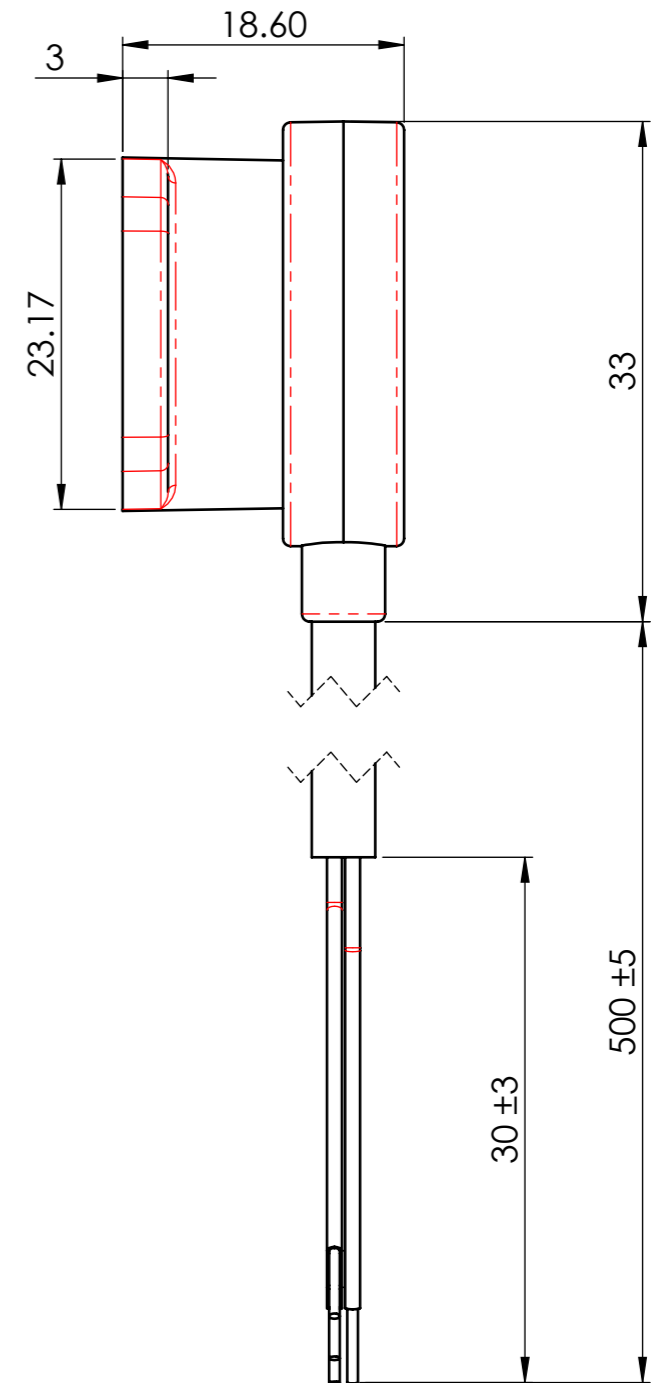
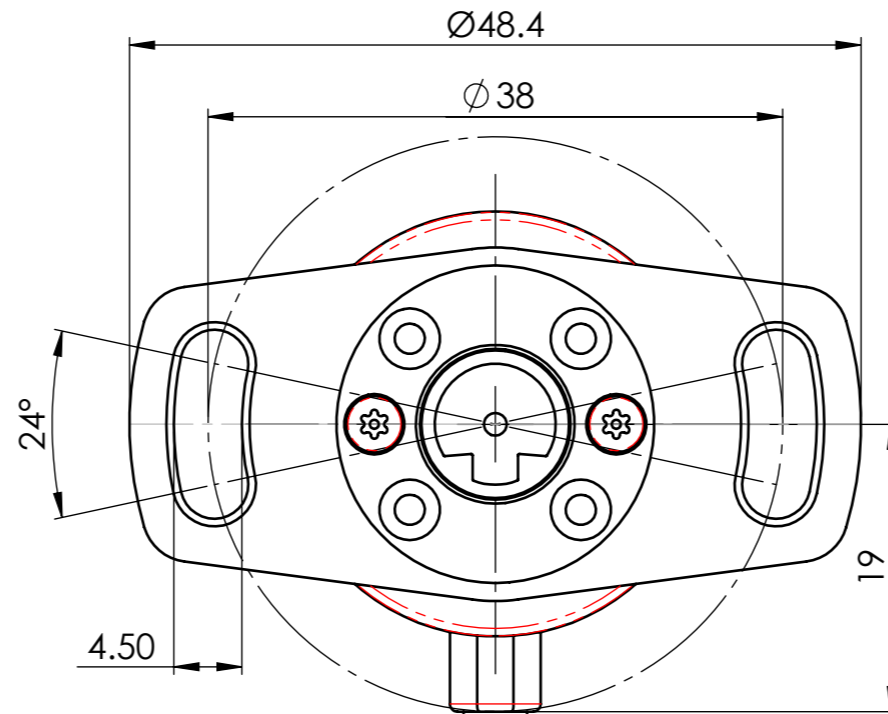
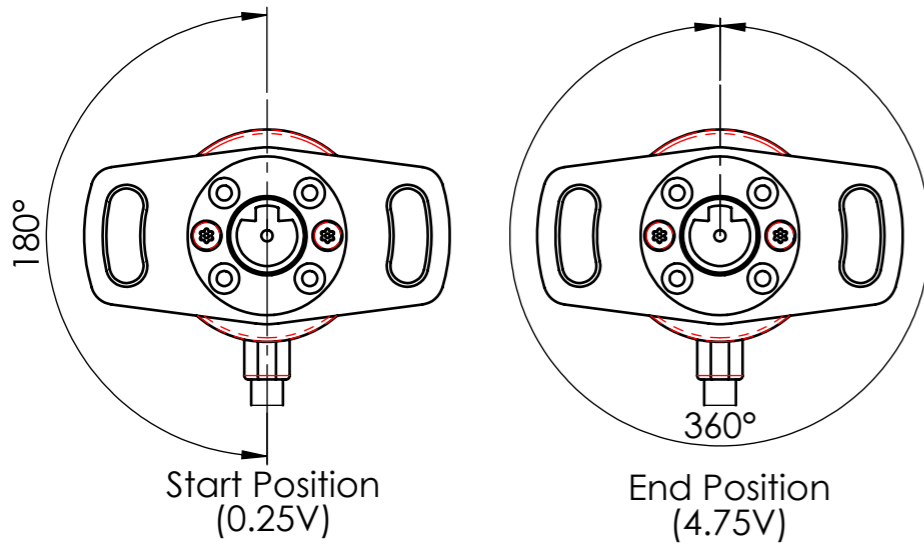


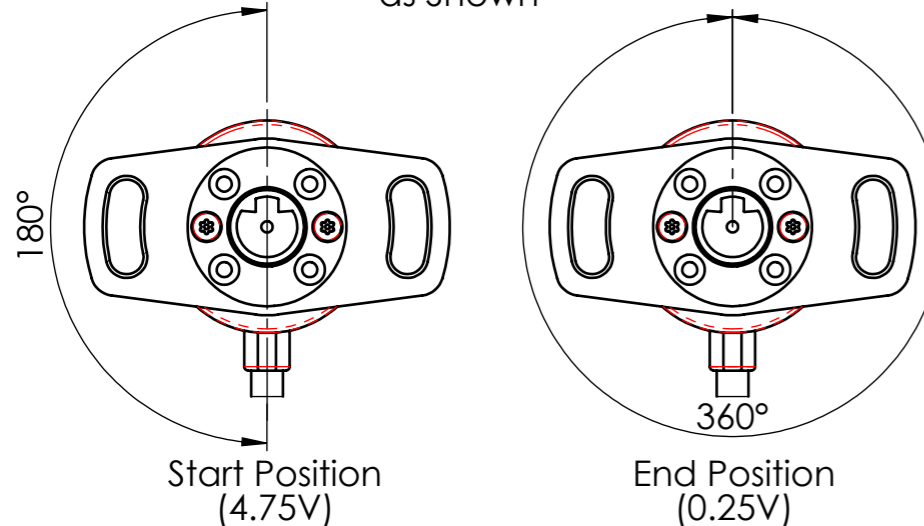
SCALE 1 : 1



**Channel 1**  
Output increases CW  
as Shown



**Channel 2**  
Output increases CCW  
as Shown



**Wire Connections**

- Red = +5V
- Black = 0V
- White = Signal 1
- Green = +5V
- Blue = 0V
- Yellow = Signal 2

6 Core Cable - Spec 55A  
24 AWG Wire, DR-25 Sleeve  
Ø4.1mm

Material  
See B.O.M.

Treatment  
None

Title, Supplementary title

**Euro-XPB FBS to Beagle Spec**

B	ECN2334	Channel 2 changed	16/11/16	RJK
A	-	Initial Issue	09/02/16	RJK
Revision	Mod. No.	Description	Date	Name
General tolerance		Name	Date	Scale
+/- 0,2mm	+/- 0,5°	Drawn	RJK	09/02/16
		Checked		2:1
		Eng. Appr.		Document type
		Mfg. Appr.		ASSEMBLY
		Q.A.		Document status
				RELEASED

Drawing number

**93805 B**

Rev.