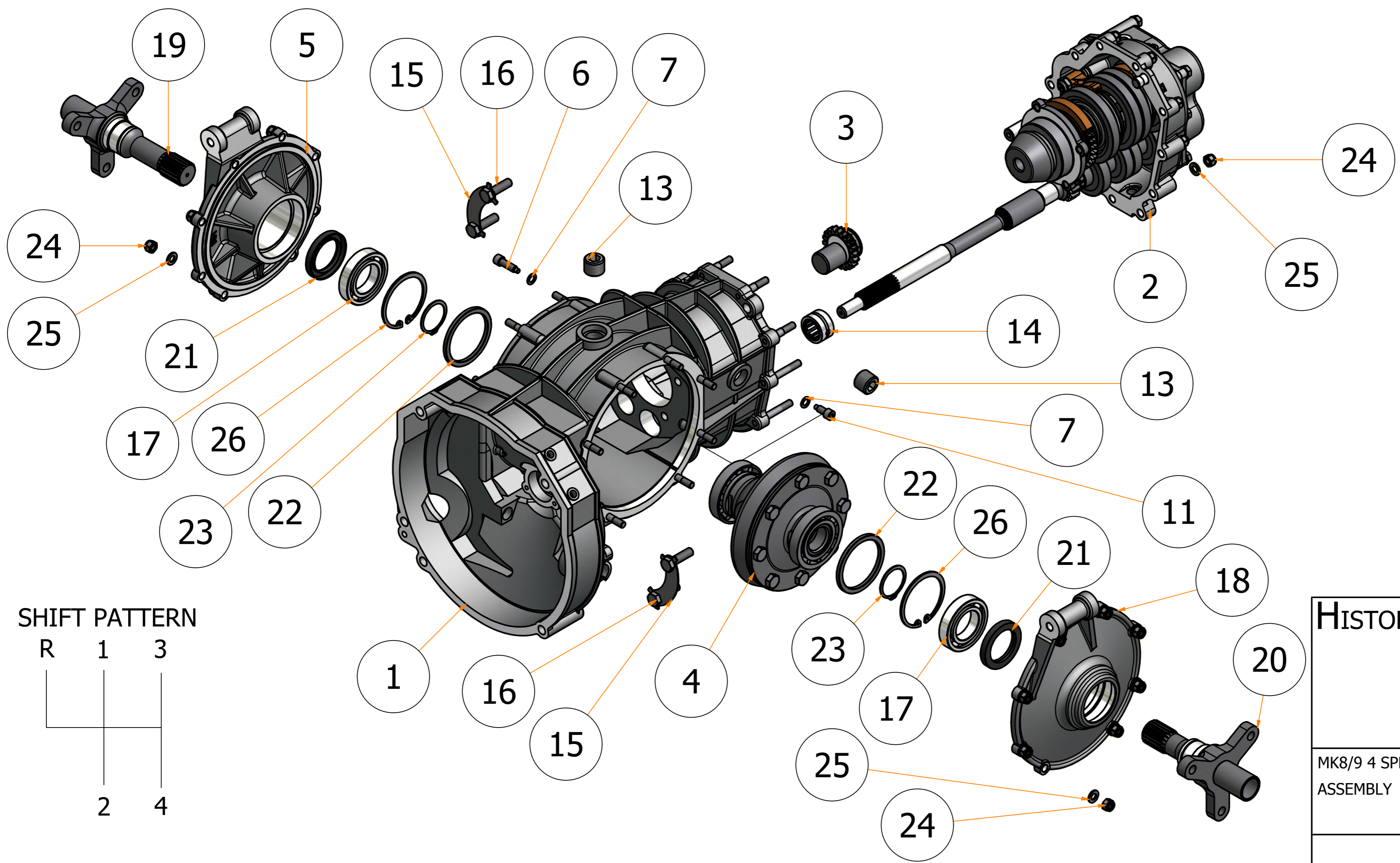


Parts List				Parts List			
ITEM	PART NUMBER	TITLE	QTY	ITEM	PART NUMBER	TITLE	QTY
1	HMT112322	MK8/9 MAINCASE (RHINO) (HC-201-R)	1	14	HMT612337	22X35X20 NKS22 NEEDLE ROLLER BEARING (HC9-234-1)	1
2	HMT911602	BEARING CARRIER ASSEMBLY - MK8/9 - 4 SPEED	1	15	HMT313009	TAB WASHER - MK8/9 (HC-225-2)	2
3	HMT911603 RHINO	REVERSE IDLER ASSEMBLY - MK8/9 (FOR RHINO MAINCASE)	1	16	HMT814060	M10 X 1.5 - 35 LONG HEX HEAD BOLT	4
4	HMT911638	ELITE FREE DIFF ASSEMBLY - MK8/9	1	17	HMT613565	BALL BEARING 1.5x2.6875x0.5625 (XLJ1-1/2)	2
5	HMT111654	RH SIDEPLATE OUTBOARD - MK8/9	1	18	HMT111653	LH SIDEPLATE OUTBOARD - MK8/9	1
6	HMT811528	SOCKET CAP SCREW STUD - MK8/9 (HC-229-3)	1	19	HMT912371	TRI LOBE RH OUTPUT FLANGE MK8 WELD ASSEMBLY	1
7	HMT84793	M8 WASHER	2	20	HMT912372	TRI LOBE LH OUTPUT FLANGE MK8 WELD ASSEMBLY	1
8	HMT812334	M8 X 48.5 STUD SCREW (HC-201-4)	4	21	HMT614059	OIL SEAL - 1.625 x 2.374 x 0.313 INCH	2
9	HMT812335	M8 X 60 STUD SCREW MK8/9 MAINCASE	5	22	HMT311648	LH TAPER ROLLER BEARING SPACER - MK8/9 (HCC-205-2)	2
10	HMT812336	DOWEL MK8/9 (HC-201-5)	2	23	HMT614058	EXTERNAL CIRCLIP 1-1/2"	2
11	HMT812339	SOCKET CAP SCREW STUD - MK8/9 (HC-229-3)	1	24	5/16" NYLOC NUT	5/16" 0.3125 INCH NYLOC NUT	25
12	HMT812340	M8 X 40 STUD SCREW MK8/9 MAINCASE	16	25	5/16" WASHER	5/16" 0.3125 INCH WASHER	25
13	HMT812348	DRAIN PLUG M24 X 1.5	2	26	HMT614057	INTERNAL CIRCLIP 2-11/16"	2



HISTORIC
MOTORSPORT
TRANSMISSIONS

MK8/9 4 SPEED (OUTBOARD BRAKES) GEARBOX FULL ASSEMBLY