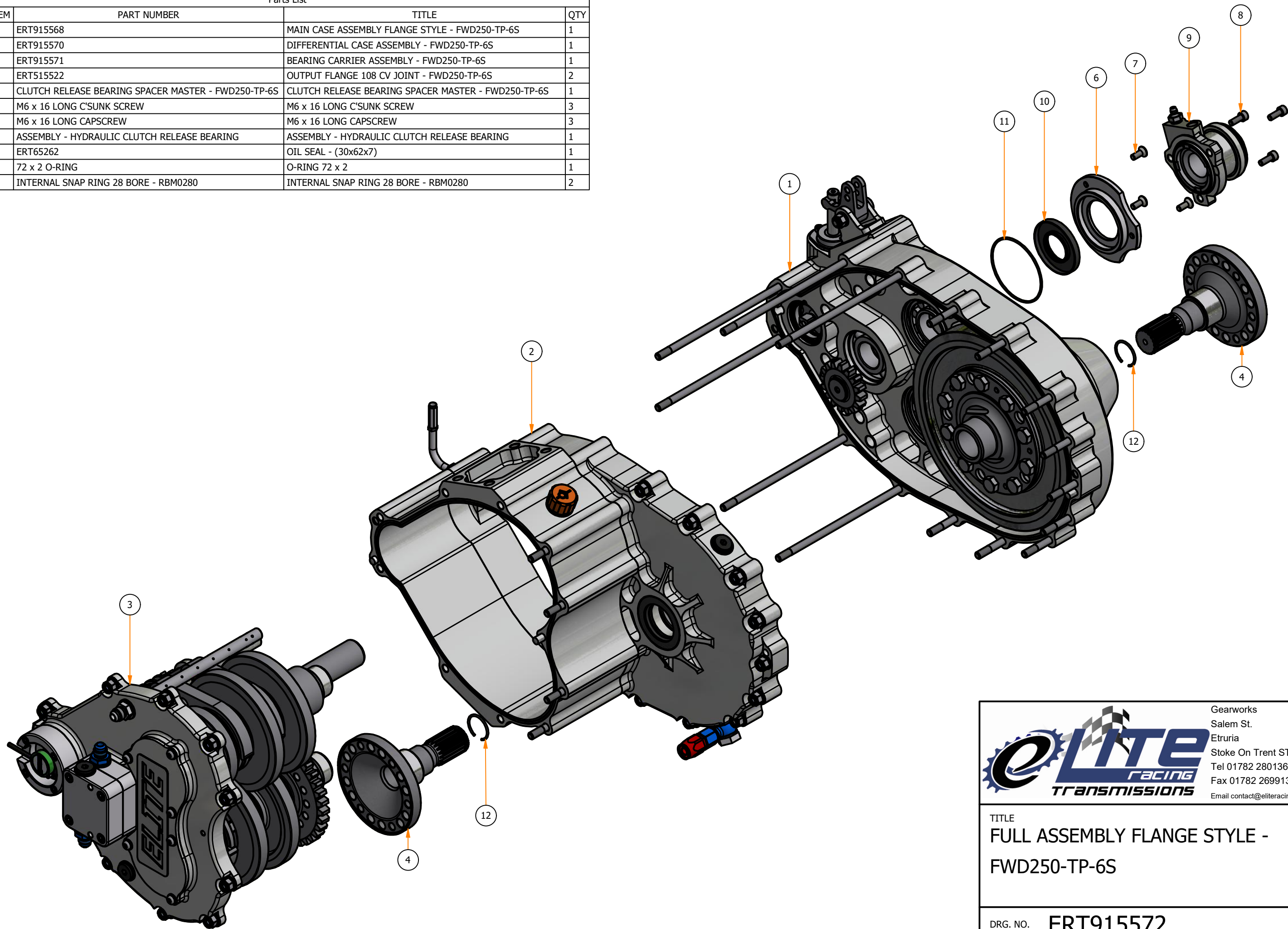


| Parts List |   |   |     |
|------------|---|---|-----|
| ITEM       | PART NUMBER   | TITLE   | QTY |
| 1          | ERT915568   | MAIN CASE ASSEMBLY FLANGE STYLE - FWD250-TP-6S      | 1   |
| 2          | ERT915570   | DIFFERENTIAL CASE ASSEMBLY - FWD250-TP-6S           | 1   |
| 3          | ERT915571   | BEARING CARRIER ASSEMBLY - FWD250-TP-6S             | 1   |
| 4          | ERT515522   | OUTPUT FLANGE 108 CV JOINT - FWD250-TP-6S           | 2   |
| 6          | CLUTCH RELEASE BEARING SPACER MASTER - FWD250-TP-6S | CLUTCH RELEASE BEARING SPACER MASTER - FWD250-TP-6S | 1   |
| 7          | M6 x 16 LONG C'SUNK SCREW                           | M6 x 16 LONG C'SUNK SCREW                           | 3   |
| 8          | M6 x 16 LONG CAPSCREW                               | M6 x 16 LONG CAPSCREW                               | 3   |
| 9          | ASSEMBLY - HYDRAULIC CLUTCH RELEASE BEARING         | ASSEMBLY - HYDRAULIC CLUTCH RELEASE BEARING         | 1   |
| 10         | ERT65262  | OIL SEAL - (30x62x7)                                | 1   |
| 11         | 72 x 2 O-RING                                       | O-RING 72 x 2                                       | 1   |
| 12         | INTERNAL SNAP RING 28 BORE - RBM0280                | INTERNAL SNAP RING 28 BORE - RBM0280                | 2   |



Gearworks  
 Salem St.  
 Etruria  
 Stoke On Trent ST1 5PR  
 Tel 01782 280136  
 Fax 01782 269913  
 Email [contact@eliteracingtransmissions.com](mailto:contact@eliteracingtransmissions.com)

TITLE  
 FULL ASSEMBLY FLANGE STYLE -  
 FWD250-TP-6S

DRG. NO. ERT915572

ISSUE  
 0