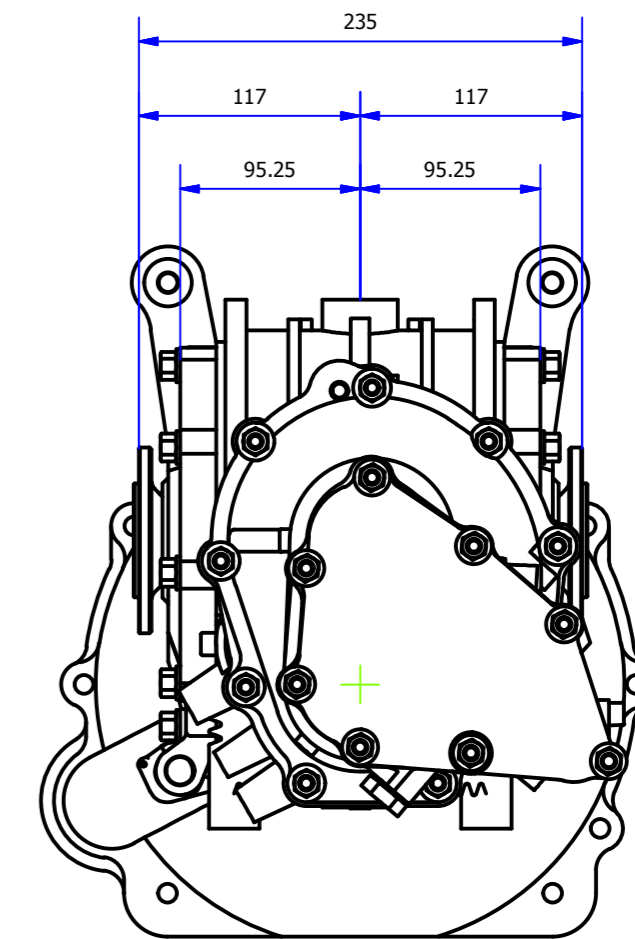
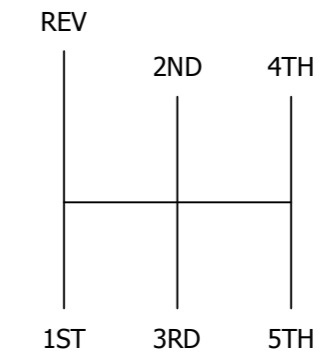


FORWARD GEARS
5.6MM TRAVEL
EITHER SIDE OF NEUTRAL
REVERSE 9.5MM FROM NEUTRAL

GEAR SHIFT PATTERN



TITLE
FT200 FULL ASSEMBLY

DRG. No. ERT99006

Issue