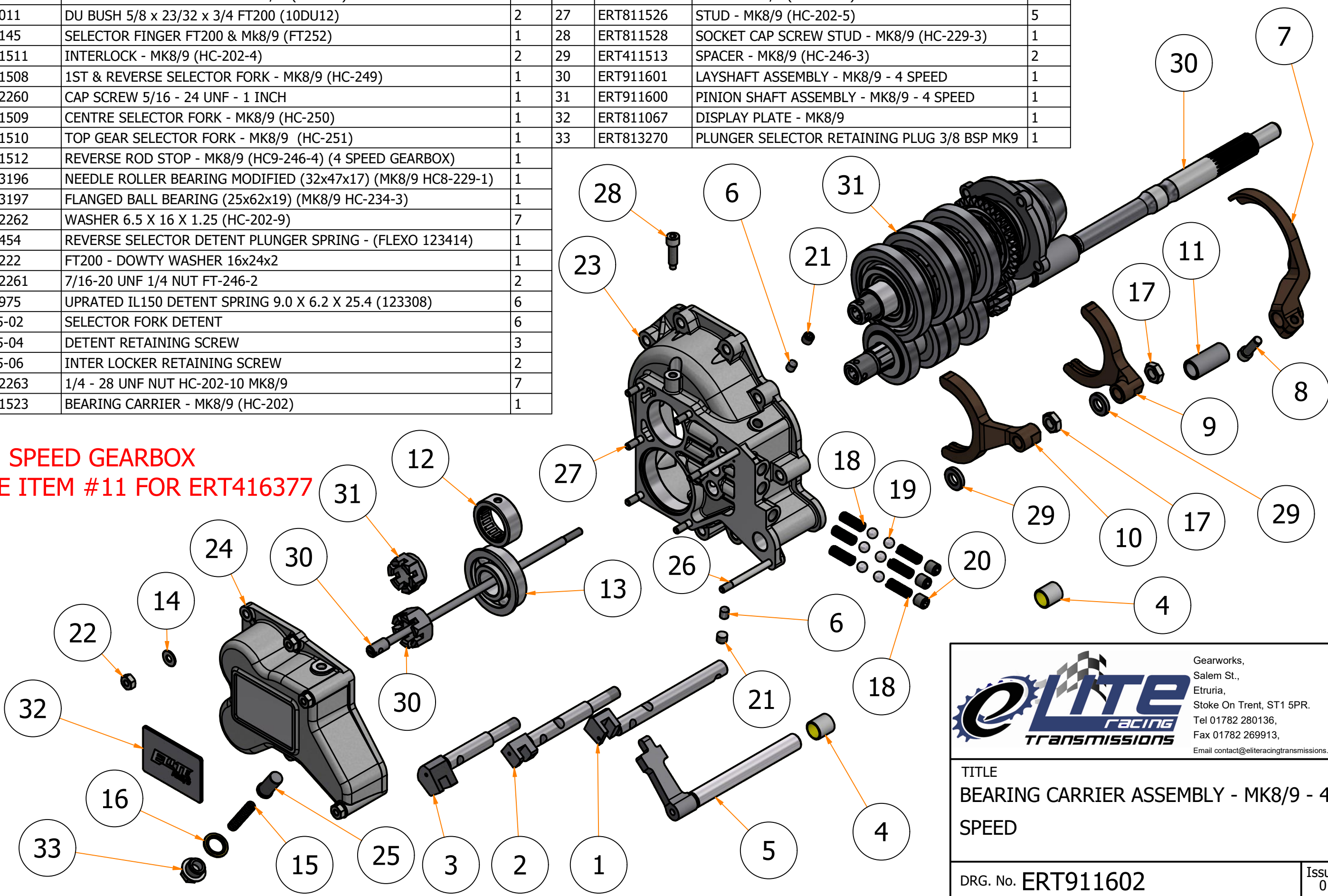


Parts List			
ITEM	PART NUMBER	TITLE	QTY
1	ERT411505	REVERSE SELECTOR ROD - MK8/9 (HC-246)	1
2	ERT411506	CENTRE SELECTOR ROD - MK8/9 (HC-247)	1
3	ERT411507	TOP GEAR SELECTOR ROD - MK8/9 (HC-248)	1
4	ERT89011	DU BUSH 5/8 x 23/32 x 3/4 FT200 (10DU12)	2
5	ERT48145	SELECTOR FINGER FT200 & Mk8/9 (FT252)	1
6	ERT411511	INTERLOCK - MK8/9 (HC-202-4)	2
7	ERT411508	1ST & REVERSE SELECTOR FORK - MK8/9 (HC-249)	1
8	ERT812260	CAP SCREW 5/16 - 24 UNF - 1 INCH	1
9	ERT411509	CENTRE SELECTOR FORK - MK8/9 (HC-250)	1
10	ERT411510	TOP GEAR SELECTOR FORK - MK8/9 (HC-251)	1
11	ERT411512	REVERSE ROD STOP - MK8/9 (HC9-246-4) (4 SPEED GEARBOX)	1
12	ERT613196	NEEDLE ROLLER BEARING MODIFIED (32x47x17) (MK8/9 HC8-229-1)	1
13	ERT613197	FLANGED BALL BEARING (25x62x19) (MK8/9 HC-234-3)	1
14	ERT812262	WASHER 6.5 X 16 X 1.25 (HC-202-9)	7
15	ERT69454	REVERSE SELECTOR DETENT PLUNGER SPRING - (FLEXO 123414)	1
16	ERT89222	FT200 - DOWTY WASHER 16x24x2	1
17	ERT812261	7/16-20 UNF 1/4 NUT FT-246-2	2
18	ERT87975	UPRATED IL150 DETENT SPRING 9.0 X 6.2 X 25.4 (123308)	6
19	ERT-05-02	SELECTOR FORK DETENT	6
20	ERT-05-04	DETENT RETAINING SCREW	3
21	ERT-05-06	INTER LOCKER RETAINING SCREW	2
22	ERT812263	1/4 - 28 UNF NUT HC-202-10 MK8/9	7
23	ERT111523	BEARING CARRIER - MK8/9 (HC-202)	1

Parts List			
ITEM	PART NUMBER	TITLE	QTY
24	ERT111524	END COVER - MK8/9 (HC-204)	1
25	ERT411525	PLUNGER 1ST & REVERSE - MK8/9 (HC-203-0)	1
26	ERT811527	STUD - MK8/9 (HC-202-6)	2
27	ERT811526	STUD - MK8/9 (HC-202-5)	5
28	ERT811528	SOCKET CAP SCREW STUD - MK8/9 (HC-229-3)	1
29	ERT411513	SPACER - MK8/9 (HC-246-3)	2
30	ERT911601	LAYSHAFT ASSEMBLY - MK8/9 - 4 SPEED	1
31	ERT911600	PINION SHAFT ASSEMBLY - MK8/9 - 4 SPEED	1
32	ERT811067	DISPLAY PLATE - MK8/9	1
33	ERT813270	PLUNGER SELECTOR RETAINING PLUG 3/8 BSP MK9	1

NOTE;
FOR A 5 SPEED GEARBOX
REPLACE ITEM #11 FOR ERT416377



Gearworks,
 Salem St.,
 Etruria,
 Stoke On Trent, ST1 5PR.
 Tel 01782 280136,
 Fax 01782 269913,
 Email contact@eliteracingtransmissions.com

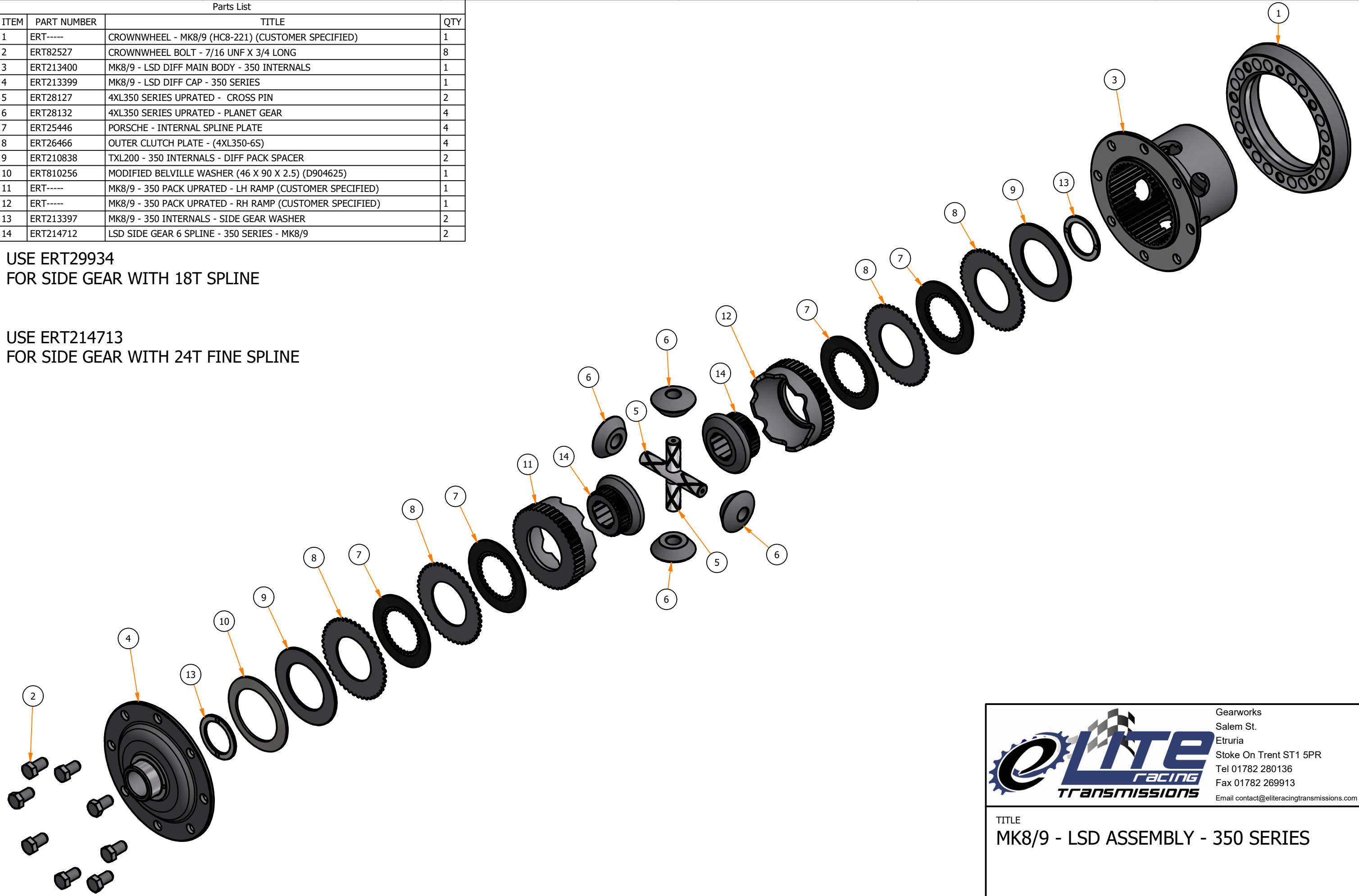
TITLE
 BEARING CARRIER ASSEMBLY - MK8/9 - 4
 SPEED

DRG. No. ERT911602 Issue 0

Parts List			
ITEM	PART NUMBER	TITLE	QTY
1	ERT-----	CROWNWHEEL - MK8/9 (HC8-221) (CUSTOMER SPECIFIED)	1
2	ERT82527	CROWNWHEEL BOLT - 7/16 UNF X 3/4 LONG	8
3	ERT213400	MK8/9 - LSD DIFF MAIN BODY - 350 INTERNALS	1
4	ERT213399	MK8/9 - LSD DIFF CAP - 350 SERIES	1
5	ERT28127	4XL350 SERIES UPRATED - CROSS PIN	2
6	ERT28132	4XL350 SERIES UPRATED - PLANET GEAR	4
7	ERT25446	PORSCHE - INTERNAL SPLINE PLATE	4
8	ERT26466	OUTER CLUTCH PLATE - (4XL350-6S)	4
9	ERT210838	TXL200 - 350 INTERNALS - DIFF PACK SPACER	2
10	ERT810256	MODIFIED BELVILLE WASHER (46 X 90 X 2.5) (D904625)	1
11	ERT-----	MK8/9 - 350 PACK UPRATED - LH RAMP (CUSTOMER SPECIFIED)	1
12	ERT-----	MK8/9 - 350 PACK UPRATED - RH RAMP (CUSTOMER SPECIFIED)	1
13	ERT213397	MK8/9 - 350 INTERNALS - SIDE GEAR WASHER	2
14	ERT214712	LSD SIDE GEAR 6 SPLINE - 350 SERIES - MK8/9	2

USE ERT29934
FOR SIDE GEAR WITH 18T SPLINE

USE ERT214713
FOR SIDE GEAR WITH 24T FINE SPLINE

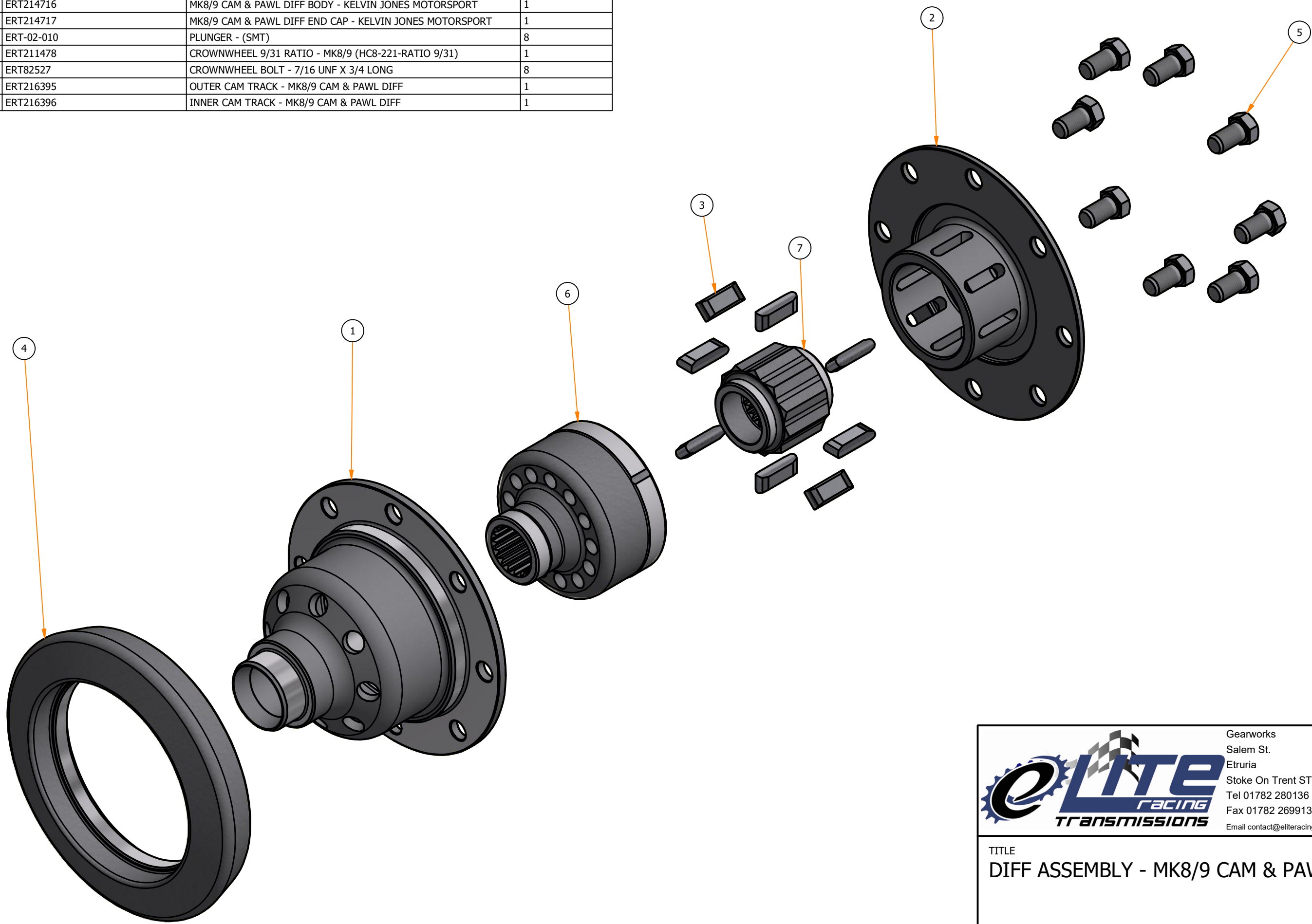



Gearworks
Salem St.
Etruria
Stoke On Trent ST1 5PR
Tel 01782 280136
Fax 01782 269913
Email contact@eliteracingtransmissions.com

TITLE
MK8/9 - LSD ASSEMBLY - 350 SERIES

DRG. NO. ERT913401 ISSUE
0

Parts List			
ITEM	PART NUMBER	TITLE	QTY
1	ERT214716	MK8/9 CAM & PAWL DIFF BODY - KELVIN JONES MOTORSPORT	1
2	ERT214717	MK8/9 CAM & PAWL DIFF END CAP - KELVIN JONES MOTORSPORT	1
3	ERT-02-010	PLUNGER - (SMT)	8
4	ERT211478	CROWNWHEEL 9/31 RATIO - MK8/9 (HC8-221-RATIO 9/31)	1
5	ERT82527	CROWNWHEEL BOLT - 7/16 UNF X 3/4 LONG	8
6	ERT216395	OUTER CAM TRACK - MK8/9 CAM & PAWL DIFF	1
7	ERT216396	INNER CAM TRACK - MK8/9 CAM & PAWL DIFF	1



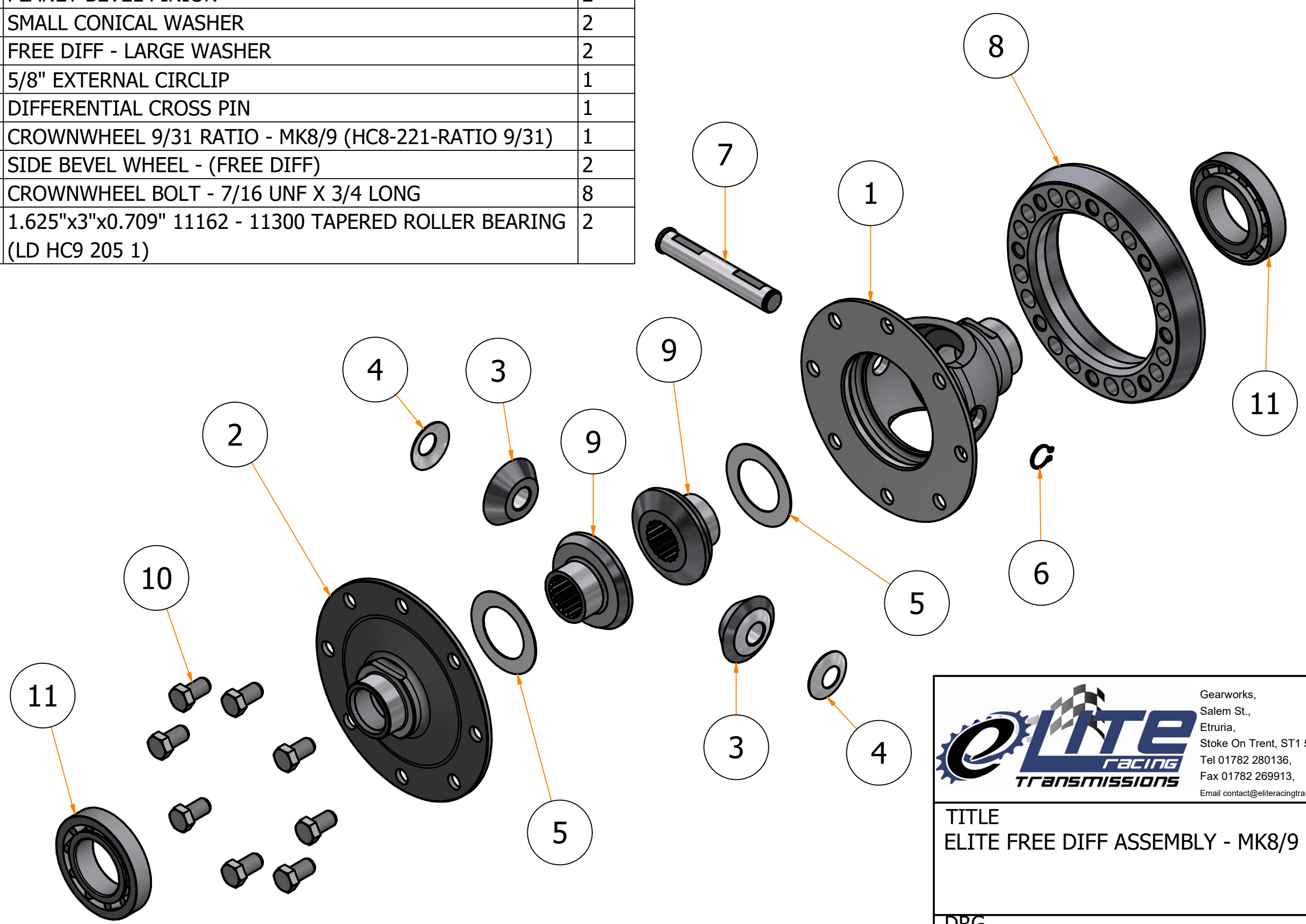

 Gearworks
 Salem St.
 Etruria
 Stoke On Trent ST1 5PR
 Tel 01782 280136
 Fax 01782 269913
 Email contact@eliteracingtransmissions.com

TITLE
DIFF ASSEMBLY - MK8/9 CAM & PAWL DIFF

DRG. NO. **ERT916397**
ISSUE
0

Parts List

ITEM	PART NUMBER	TITLE	QTY
1	ERT211636	ELITE FREE DIFF BODY - MK8/9	1
2	ERT211637	ELITE FREE DIFF END CAP - MK8/9	1
3	ERT-02-13	PLANET BEVEL PINION	2
4	ERT24558	SMALL CONICAL WASHER	2
5	ERT24826	FREE DIFF - LARGE WASHER	2
6	ERT610895	5/8" EXTERNAL CIRCLIP	1
7	ERT30808	DIFFERENTIAL CROSS PIN	1
8	ERT211478	CROWNWHEEL 9/31 RATIO - MK8/9 (HC8-221-RATIO 9/31)	1
9	ERT-02-12	SIDE BEVEL WHEEL - (FREE DIFF)	2
10	ERT82527	CROWNWHEEL BOLT - 7/16 UNF X 3/4 LONG	8
11	ERT612108	1.625"x3"x0.709" 11162 - 11300 TAPERED ROLLER BEARING (LD HC9 205 1)	2



Gearworks,
Salem St.,
Etruria,
Stoke On Trent, ST1 5PR.
Tel 01782 280136,
Fax 01782 269913,
Email contact@eliteracingtransmissions.com

TITLE
ELITE FREE DIFF ASSEMBLY - MK8/9

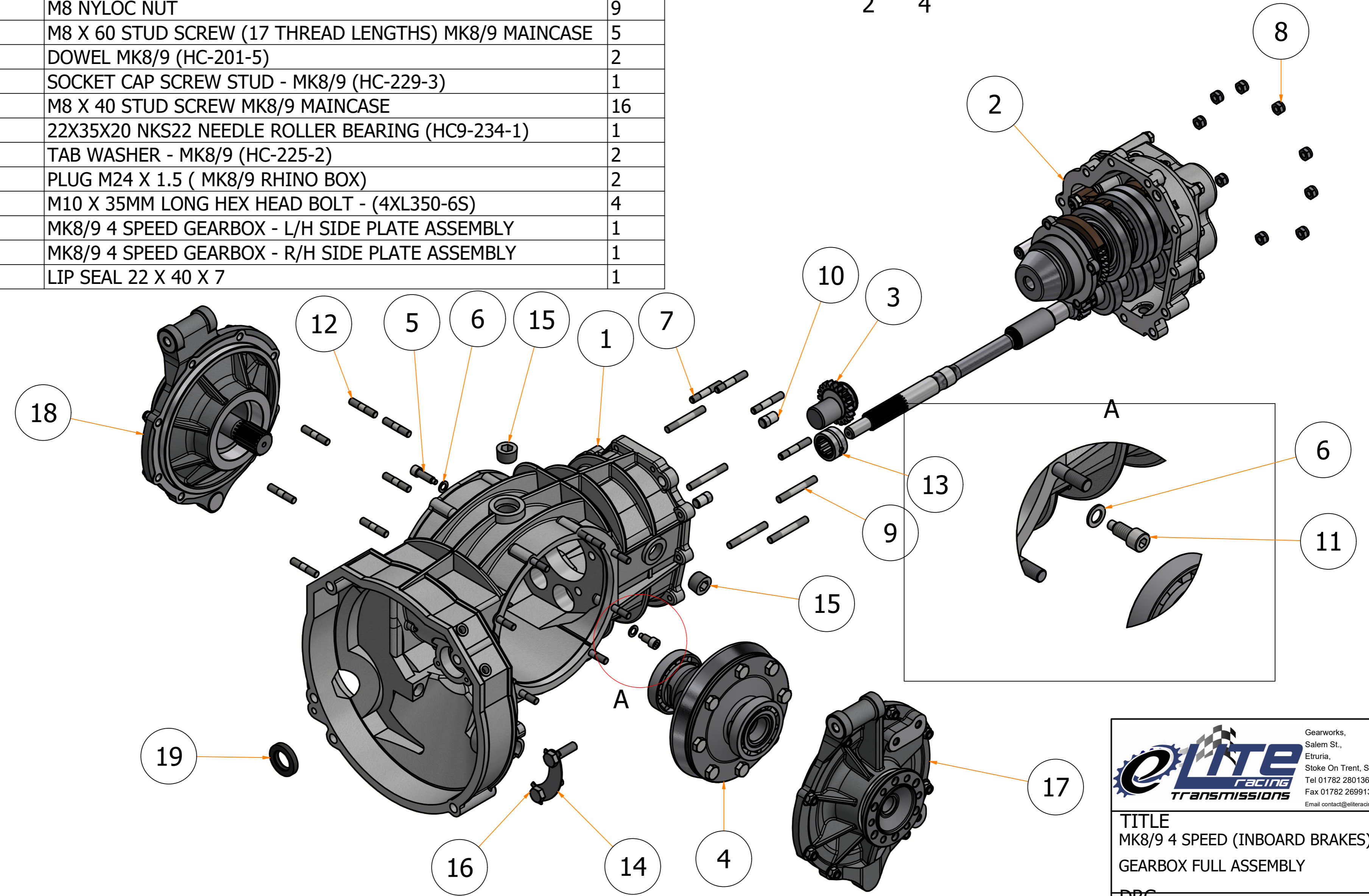
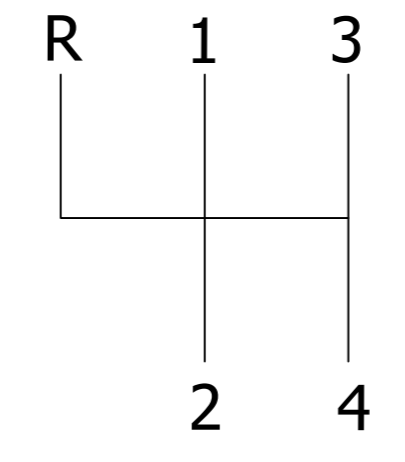
DRG. No. ERT911638

Issue
0

Parts List

ITEM	PART NUMBER	TITLE	QTY
1	ERT112322	MK8/9 MAINCASE (RHINO) (HC-201-R)	1
2	ERT911602	BEARING CARRIER ASSEMBLY - MK8/9 - 4 SPEED	1
3	ERT911603 RHINO	REVERSE IDLER ASSEMBLY - MK8/9 (FOR RHINO MAINCASE)	1
4	ERT911638	ELITE FREE DIFF ASSEMBLY - MK8/9	1
5	ERT811528	SOCKET CAP SCREW STUD - MK8/9 (HC-229-3)	1
6	ERT84793	M8 WASHER	2
7	ERT812334	M8 X 48.5 STUD SCREW (12 & 20 THREAD LENGTHS) (HC-201-4)	4
8	ERT80055	M8 NYLOC NUT	9
9	ERT812335	M8 X 60 STUD SCREW (17 THREAD LENGTHS) MK8/9 MAINCASE	5
10	ERT812336	DOWEL MK8/9 (HC-201-5)	2
11	ERT812339	SOCKET CAP SCREW STUD - MK8/9 (HC-229-3)	1
12	ERT812340	M8 X 40 STUD SCREW MK8/9 MAINCASE	16
13	ERT612337	22X35X20 NKS22 NEEDLE ROLLER BEARING (HC9-234-1)	1
14	ERT313009	TAB WASHER - MK8/9 (HC-225-2)	2
15	ERT813157B	PLUG M24 X 1.5 (MK8/9 RHINO BOX)	2
16	ERT85184	M10 X 35MM LONG HEX HEAD BOLT - (4XL350-6S)	4
17	ERT913515	MK8/9 4 SPEED GEARBOX - L/H SIDE PLATE ASSEMBLY	1
18	ERT913516	MK8/9 4 SPEED GEARBOX - R/H SIDE PLATE ASSEMBLY	1
19	ERT614907	LIP SEAL 22 X 40 X 7	1

SHIFT PATTERN



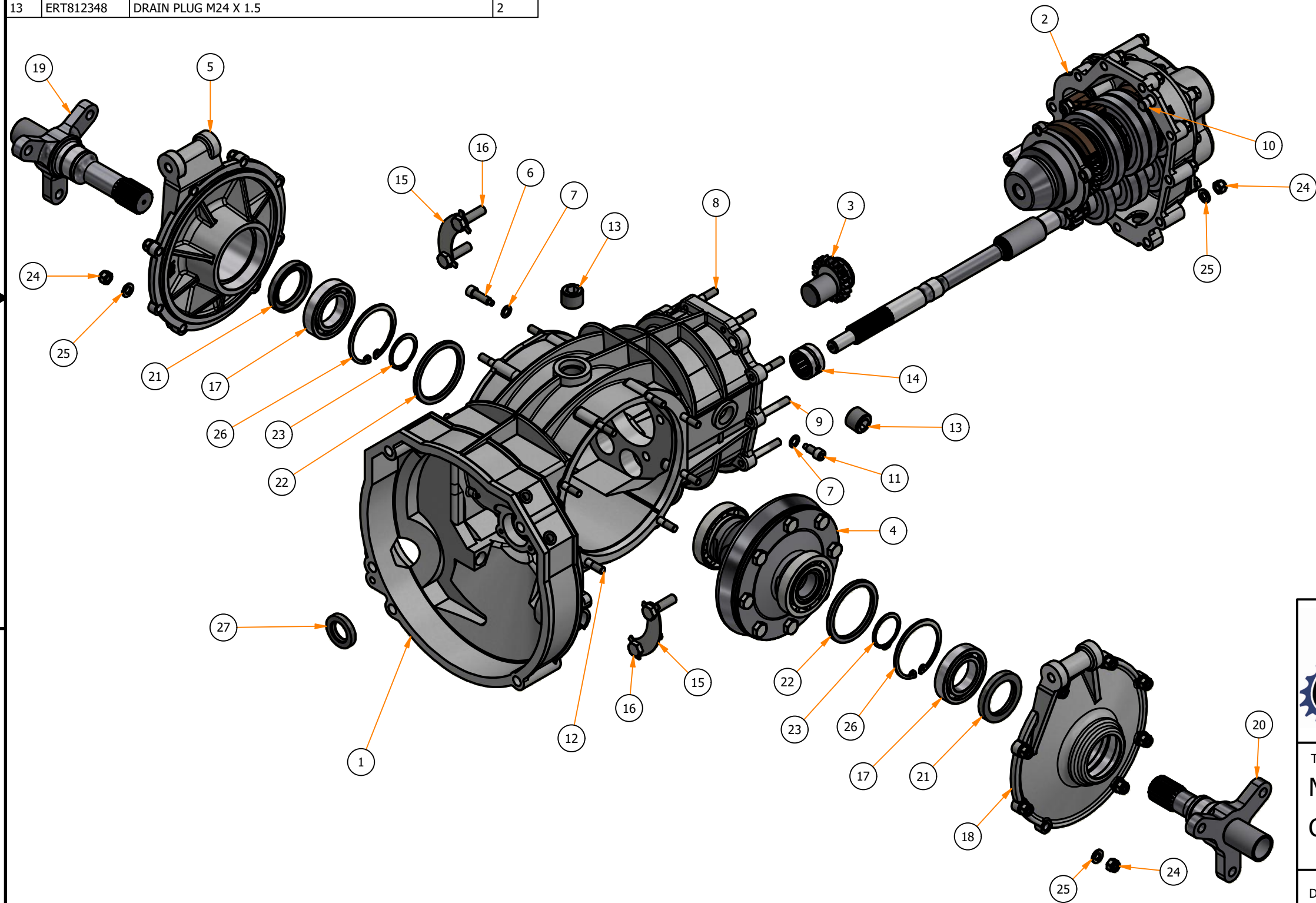
Gearworks,
Salem St.,
Etruria,
Stoke On Trent, ST1 5PR.
Tel 01782 280136,
Fax 01782 269913,
Email contact@eliteracingtransmissions.com

TITLE
MK8/9 4 SPEED (INBOARD BRAKES)
GEARBOX FULL ASSEMBLY

DRG. No. ERT912323

Issue

Parts List				Parts List			
ITEM	PART NUMBER	TITLE	QTY	ITEM	PART NUMBER	TITLE	QTY
1	ERT112322	MK8/9 MAINCASE (RHINO) (HC-201-R)	1	14	ERT612337	22X35X20 NKS22 NEEDLE ROLLER BEARING (HC9-234-1)	1
2	ERT911602	BEARING CARRIER ASSEMBLY - MK8/9 - 4 SPEED	1	15	ERT313009	TAB WASHER - MK8/9 (HC-225-2)	2
3	ERT911603	REVERSE IDLER ASSEMBLY - MK8/9 (FOR RHINO MAINCASE)	1	16	ERT814060	M10 X 1.5 - 35 LONG HEX HEAD BOLT	4
4	ERT911638	ELITE FREE DIFF ASSEMBLY - MK8/9	1	17	ERT613565	BALL BEARING 1.5x2.6875x0.5625 (XLJ1-1/2)	2
5	ERT111654	RH SIDEPLATE OUTBOARD - MK8/9	1	18	ERT111653	LH SIDEPLATE OUTBOARD - MK8/9	1
6	ERT811528	SOCKET CAP SCREW STUD - MK8/9 (HC-229-3)	1	19	ERT912371	TRI LOBE RH OUTPUT FLANGE MK8 WELD ASSEMBLY	1
7	ERT84793	M8 WASHER	2	20	ERT912372	TRI LOBE LH OUTPUT FLANGE MK8 WELD ASSEMBLY	1
8	ERT812334	M8 X 48.5 STUD SCREW (12 & 20 THREAD LENGTHS) (HC-201-4)	4	21	ERT614059	OIL SEAL - 1.625 x2.374 x 0.313 INCH	2
9	ERT812335	M8 X 60 STUD SCREW (17 THREAD LENGTHS) MK8/9 MAINCASE	5	22	ERT311648	LH TAPER ROLLER BEARING SPACER - MK8/9 (HCC-205-2)	2
10	ERT812336	DOWEL MK8/9 (HC-201-5)	2	23	ERT614058	EXTERNAL CIRCLIP 1-1/2"	2
11	ERT812339	SOCKET CAP SCREW STUD - MK8/9 (HC-229-3)	1	24	5/16" NYLOC NUT	5/16" - 24 UNF 0.3125" NYLOC NUT	25
12	ERT812340	M8 X 40 STUD SCREW MK8/9 MAINCASE	16	25	5/16" WASHER	5/16" 0.3125 INCH WASHER	25
13	ERT812348	DRAIN PLUG M24 X 1.5	2	26	ERT614057	INTERNAL CIRCLIP 2-11/16"	2
				27	ERT614907	LIP SEAL 22 X 40 X 7	1

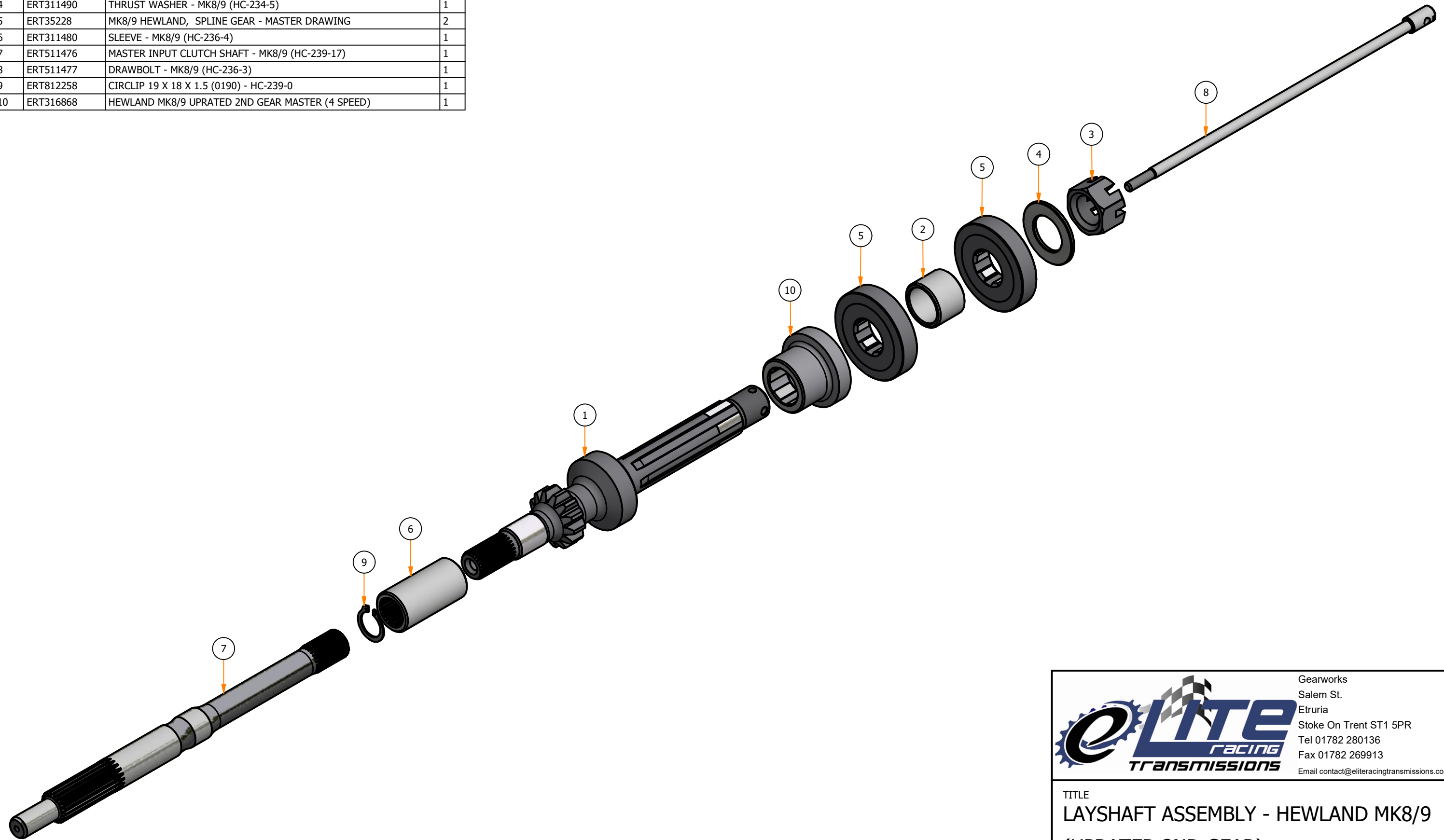



 Gearworks,
 Salem St.,
 Etruria,
 Stoke On Trent, ST1 5PR.
 Tel 01782 280136,
 Fax 01782 269913,
 Email contact@eliteracingtransmissions.com

TITLE
MK8/9 4 SPEED (OUTBOARD BRAKES)
GEARBOX FULL ASSEMBLY

DRG. No. **ERT913125** Issue

Parts List			
ITEM	PART NUMBER	TITLE	QTY
1	ERT313096	HEWLAND MK 8/9 LAYSHAFT 4-SPEED (REVERSE & 1ST CUT ON SHAFT)	1
2	ERT311488	SPACER - MK8/9 (HC-234-6)	1
3	ERT37480	FT 200 - LAYSHAFT NUT	1
4	ERT311490	THRUST WASHER - MK8/9 (HC-234-5)	1
5	ERT35228	MK8/9 HEWLAND, SPLINE GEAR - MASTER DRAWING	2
6	ERT311480	SLEEVE - MK8/9 (HC-236-4)	1
7	ERT511476	MASTER INPUT CLUTCH SHAFT - MK8/9 (HC-239-17)	1
8	ERT511477	DRAWBOLT - MK8/9 (HC-236-3)	1
9	ERT812258	CIRCLIP 19 X 18 X 1.5 (0190) - HC-239-0	1
10	ERT316868	HEWLAND MK8/9 UPRATED 2ND GEAR MASTER (4 SPEED)	1



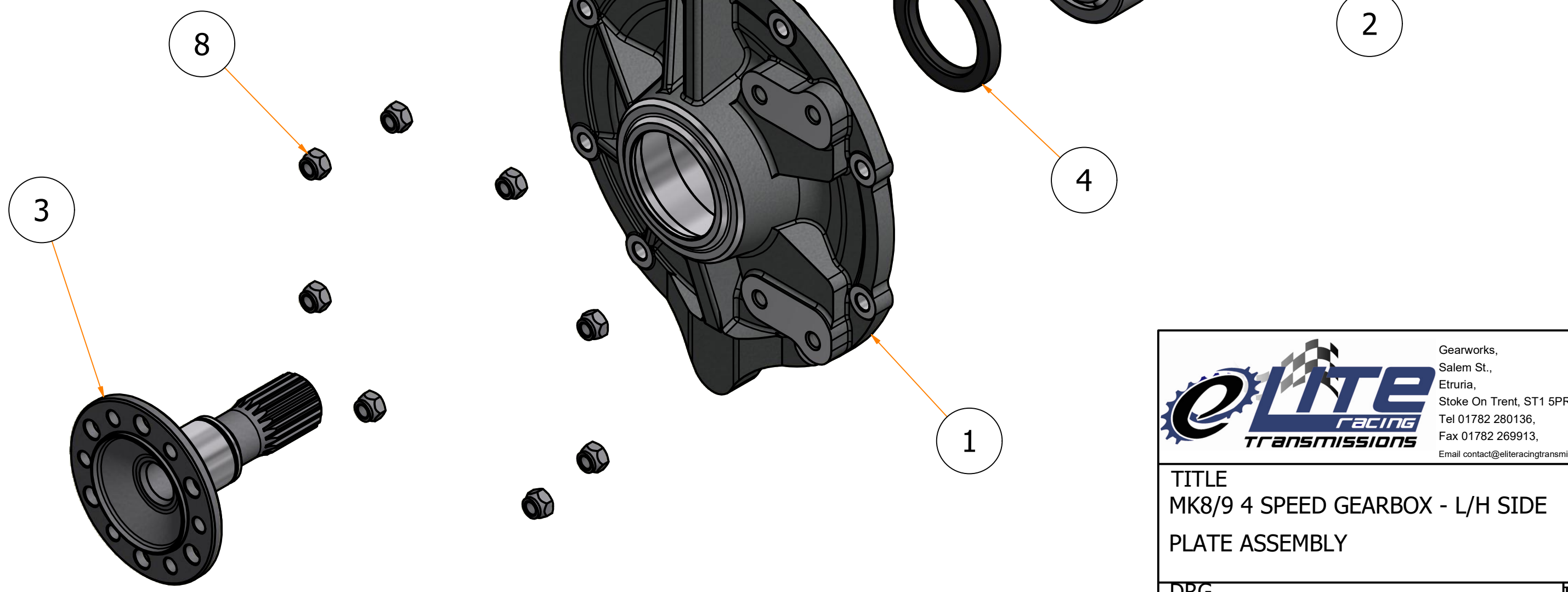

 Gearworks
 Salem St.
 Etruria
 Stoke On Trent ST1 5PR
 Tel 01782 280136
 Fax 01782 269913
 Email contact@eliteracingtransmissions.com

TITLE
LAYSHAFT ASSEMBLY - HEWLAND MK8/9
(UPRATED 2ND GEAR)

DRG. NO. **ERT916867**
ISSUE
0

Parts List

ITEM	PART NUMBER	TITLE	QTY
1	ERT111618	LH SIDEPLATE INBOARD - MK8/9 (HC9-205-C)	1
2	ERT311648	LH TAPER ROLLER BEARING SPACER - MK8/9 (HCC-205-2)	1
3	ERT511608	LH OUTPUT FLANGE - MK8/9 (HC9-218-LH)	1
4	ERT612182	OIL SEAL 45 X 65 X 8	1
5	ERT612331	35 X 72 X 23 (4207) DOUBLE ROW ANGULAR BALL BEARING	1
6	ERT60066	EXTERNAL CIRCLIP - (35 x 1.5)	1
7	ERT311650	TAPER ROLLER BEARING SHIM - MK8/9 (HC9-206-1)	1
8	ERT812341	5/16" - 24 LOCKING NUT	8



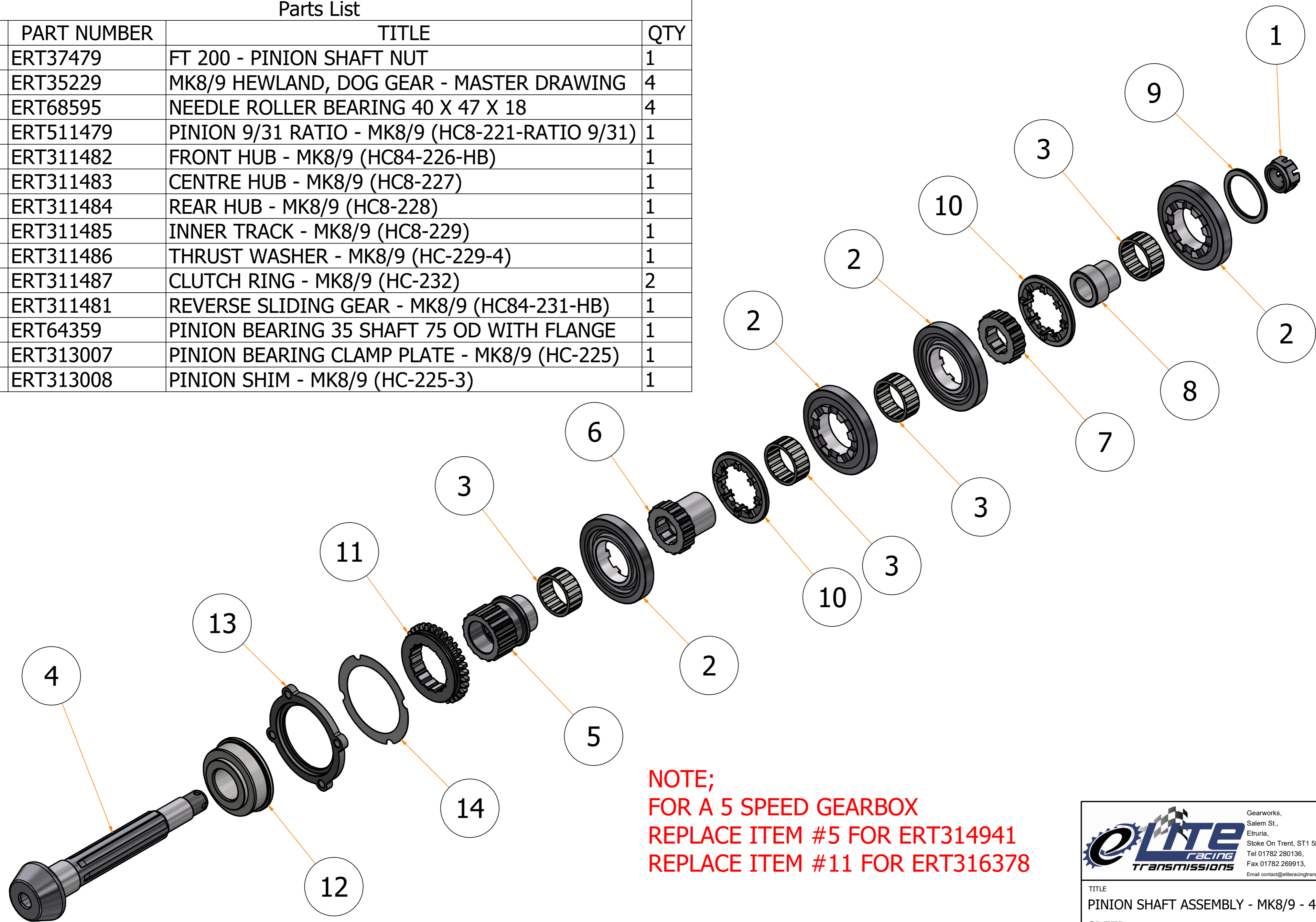
Gearworks,
Salem St.,
Etruria,
Stoke On Trent, ST1 5PR.
Tel 01782 280136,
Fax 01782 269913,
Email contact@eliteracingtransmissions.com

TITLE
MK8/9 4 SPEED GEARBOX - L/H SIDE
PLATE ASSEMBLY


DRG. No. ERT913515 Issue

Parts List

ITEM	PART NUMBER	TITLE	QTY
1	ERT37479	FT 200 - PINION SHAFT NUT	1
2	ERT35229	MK8/9 HEWLAND, DOG GEAR - MASTER DRAWING	4
3	ERT68595	NEEDLE ROLLER BEARING 40 X 47 X 18	4
4	ERT511479	PINION 9/31 RATIO - MK8/9 (HC8-221-RATIO 9/31)	1
5	ERT311482	FRONT HUB - MK8/9 (HC84-226-HB)	1
6	ERT311483	CENTRE HUB - MK8/9 (HC8-227)	1
7	ERT311484	REAR HUB - MK8/9 (HC8-228)	1
8	ERT311485	INNER TRACK - MK8/9 (HC8-229)	1
9	ERT311486	THRUST WASHER - MK8/9 (HC-229-4)	1
10	ERT311487	CLUTCH RING - MK8/9 (HC-232)	2
11	ERT311481	REVERSE SLIDING GEAR - MK8/9 (HC84-231-HB)	1
12	ERT64359	PINION BEARING 35 SHAFT 75 OD WITH FLANGE	1
13	ERT313007	PINION BEARING CLAMP PLATE - MK8/9 (HC-225)	1
14	ERT313008	PINION SHIM - MK8/9 (HC-225-3)	1



NOTE;
FOR A 5 SPEED GEARBOX
REPLACE ITEM #5 FOR ERT314941
REPLACE ITEM #11 FOR ERT316378



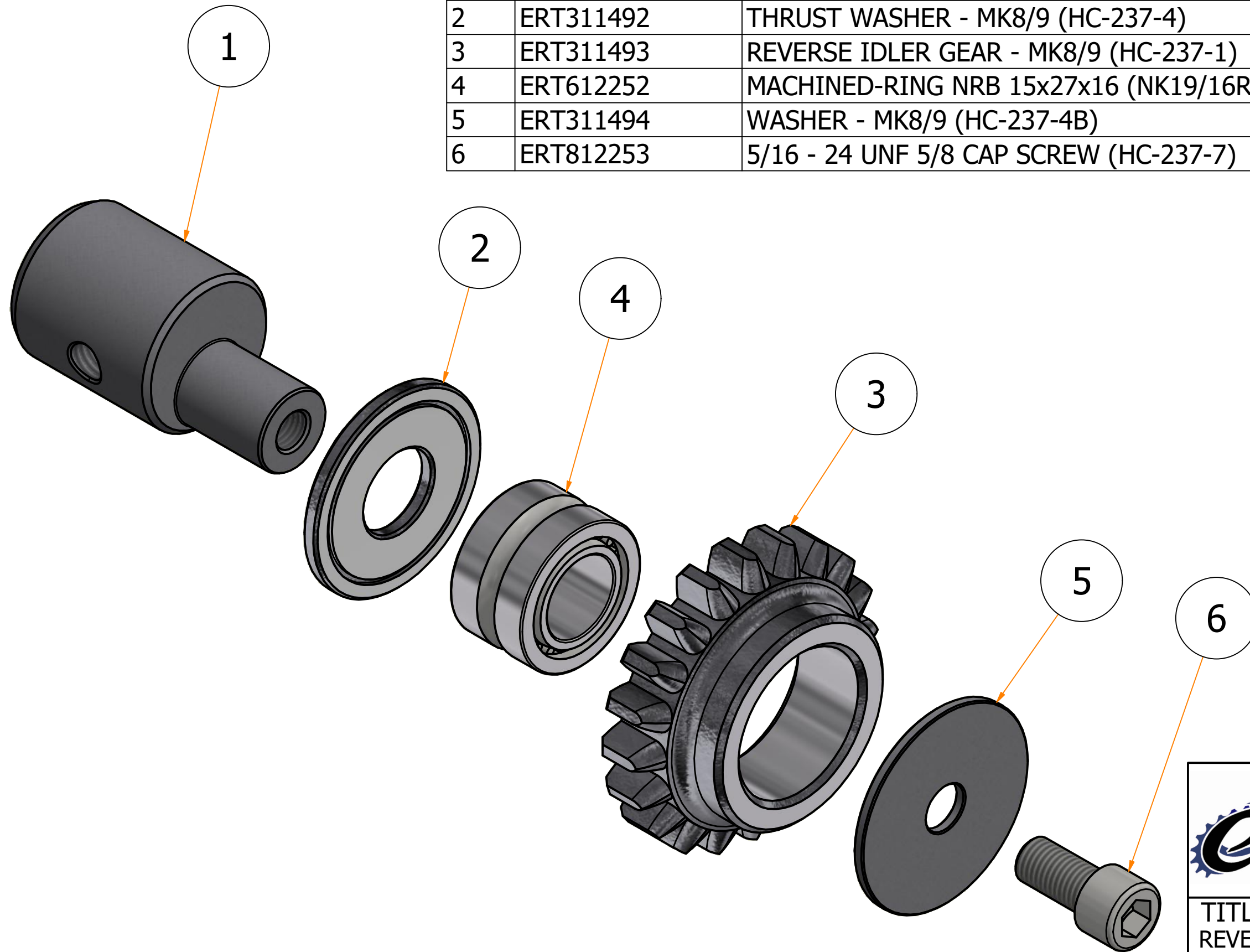
Gearworks,
Salem St.,
Etruria,
Stoke On Trent, ST1 5PR.
Tel 01782 280136,
Fax 01782 269913,
Email contact@eliteracingtransmissions.com

TITLE
 PINION SHAFT ASSEMBLY - MK8/9 - 4
 SPEED

DRG. No. **ERT911600** Issue
0

Parts List

ITEM	PART NUMBER	TITLE	QTY
1	ERT311491 RHINO	SPIGOT - MK8/9 (HC-237-3) (FOR RHINO CASE)	1
2	ERT311492	THRUST WASHER - MK8/9 (HC-237-4)	1
3	ERT311493	REVERSE IDLER GEAR - MK8/9 (HC-237-1)	1
4	ERT612252	MACHINED-RING NRB 15x27x16 (NK19/16R + IR15x19x16) (HC-237-2)	1
5	ERT311494	WASHER - MK8/9 (HC-237-4B)	1
6	ERT812253	5/16 - 24 UNF 5/8 CAP SCREW (HC-237-7)	1



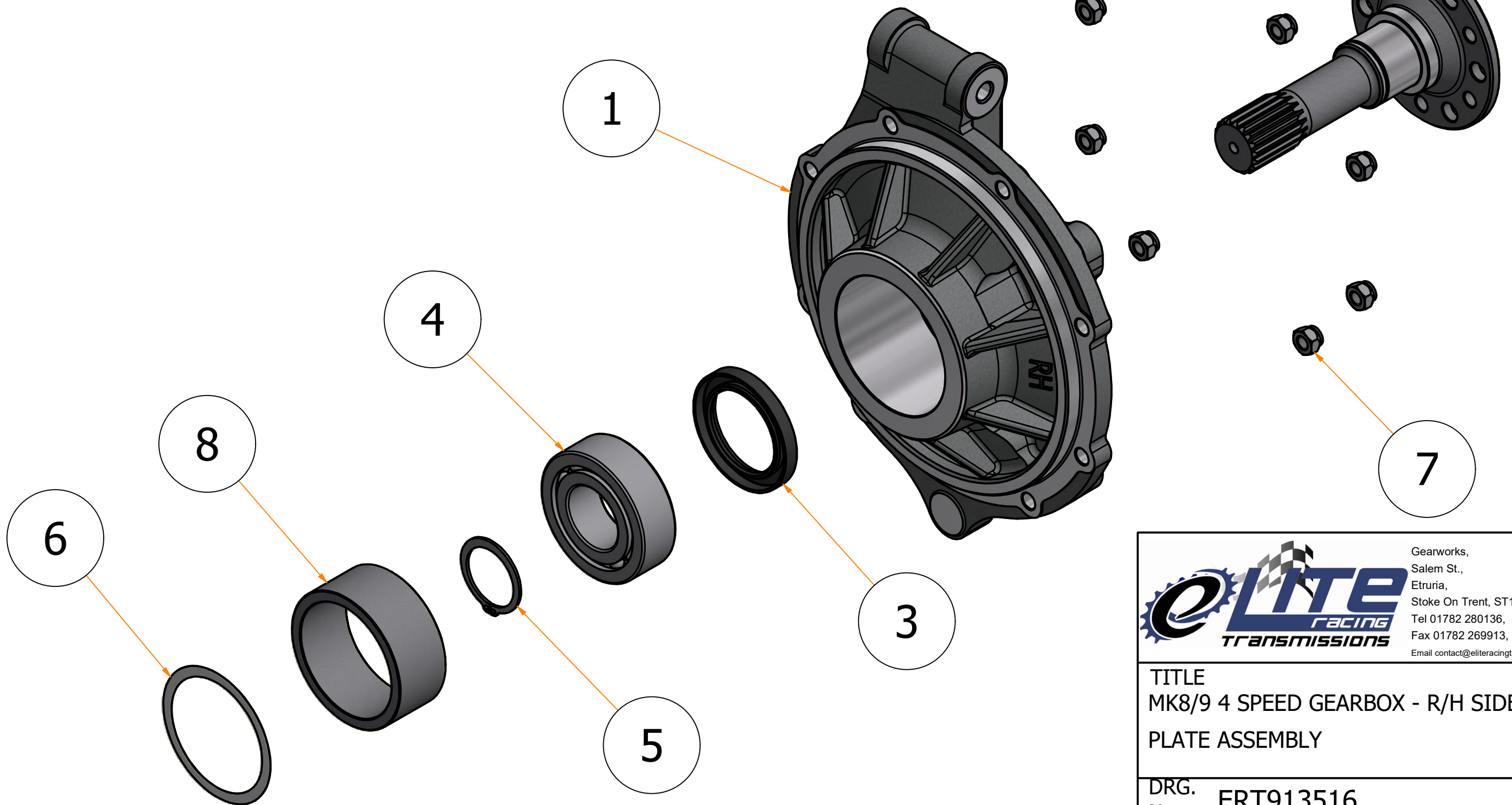

 Gearworks,
 Salem St.,
 Etruria,
 Stoke On Trent, ST1 5PR.
 Tel 01782 280136,
 Fax 01782 269913,
 Email contact@eliteracingtransmissions.com

TITLE
 REVERSE IDLER ASSEMBLY - MK8/9 (FOR
 RHINO MAINCASE)

DRG. No. ERT911603 RHINO Issue 0

Parts List

ITEM	PART NUMBER	TITLE	QTY
1	ERT111619	RH SIDEPLATE INBOARD - MK8/9 (HC9-205-C)	1
2	ERT511495	RH OUTPUT FLANGE - MK8/9 (HC9-218-RH)	1
3	ERT612182	OIL SEAL 45 X 65 X 8	1
4	ERT612331	35 X 72 X 23 (4207) DOUBLE ROW ANGULAR BALL BEARING	1
5	ERT60066	EXTERNAL CIRCLIP - (35 x 1.5)	1
6	ERT311650	TAPER ROLLER BEARING SHIM - MK8/9 (HC9-206-1)	1
7	ERT812341	5/16" - 24 LOCKING NUT	8
8	ERT311649	RH TAPER ROLLER BEARING SPACER - MK8/9 (HCC-206-2)	1




 Gearworks,
 Salem St.,
 Etruria,
 Stoke On Trent, ST1 5PR.
 Tel 01782 280136,
 Fax 01782 269913,
 Email contact@eliteracingtransmissions.com

TITLE
 MK8/9 4 SPEED GEARBOX - R/H SIDE
 PLATE ASSEMBLY

DRG. No. ERT913516 Issue



Mk 5 Ratios

1st Gears

13:38 - 2.92	12:33 - 2.75
12:31 - 2.58	12:29 - 2.42
15:34 - 2.27	16:35 - 2.19

2nd Gears

13:26 - 2.000	15:28 - 1.867
14:25 - 1.786	14:24 - 1.714

Standard Gears

16:27 - 1.687	18:24 - 1.333
19:32 - 1.684	18:23 - 1.278
15:25 - 1.666	18:22 - 1.222
17:28 - 1.647	21:24 - 1.142
16:26 - 1.625	23:27 - 1.174
15:24 - 1.600	20:22 - 1.100
19:30 - 1.578	24:26 - 1.083
16:25 - 1.563	20:21 - 1.050
20:31 - 1.550	21:21 - 1.000
18:25 - 1.389	23:22 - 0.957



Gearworks, Salem Street, Etruria, Stoke-on-Trent, Staffordshire. ST1 5PR

"high quality products at a competitive price!"

CONTACT@ELITERACINGTRANSMISSIONS.COM

TEL 01782 280136

FAX 01782 269913

MOBILE 07973248368



Mk 8/9 Ratios

1st Gears

13:38 - 2.92
13:37 - 2.85
12:33 - 2.75
12:31 - 2.58
12:29 - 2.42
15:34 - 2.27
16:35 - 2.19

Standard Gears

13:26 - 2.000	18:24 - 1.333
15:28 - 1.867	18:23 - 1.278
14:25 - 1.786	18:22 - 1.222
14:24 - 1.714	21:24 - 1.142
19:32 - 1.684	23:27 - 1.174
17:28 - 1.647	20:22 - 1.100
15:24 - 1.600	24:26 - 1.083
20:31 - 1.550	20:21 - 1.050
16:24 - 1.500	21:21 - 1.000
18:26 - 1.444	23:22 - 0.957
18:25 - 1.389	



Gearworks, Salem Street, Etruria, Stoke-on-Trent, Staffordshire. ST1 5PR

"high quality products at a competitive price!"
CONTACT@ELITERACINGTRANSMISSIONS.COM

TEL 01782 280136
FAX 01782 269913
MOBILE 07973248368



HEWLAND MK9 FINAL DRIVE RATIOS

PART NO.	TOOTH COUNT	RATIO
HC8-221-7:31	7/31	4.428
HC8-221-8:31	8/31	3.875
HC8-221-9:31	9/31	3.444
HC8-221-10:31	10/31	3.100
HC8-221-13:36	13/36	2.769



Gearworks, Salem Street, Etruria, Stoke-on-Trent, Staffordshire. ST1 5PR

"high quality products at a competitive price!"
CONTACT@ELITERACINGTRANSMISSIONS.COM

TEL 01782 280136
FAX 01782 269913
MOBILE 07973248368