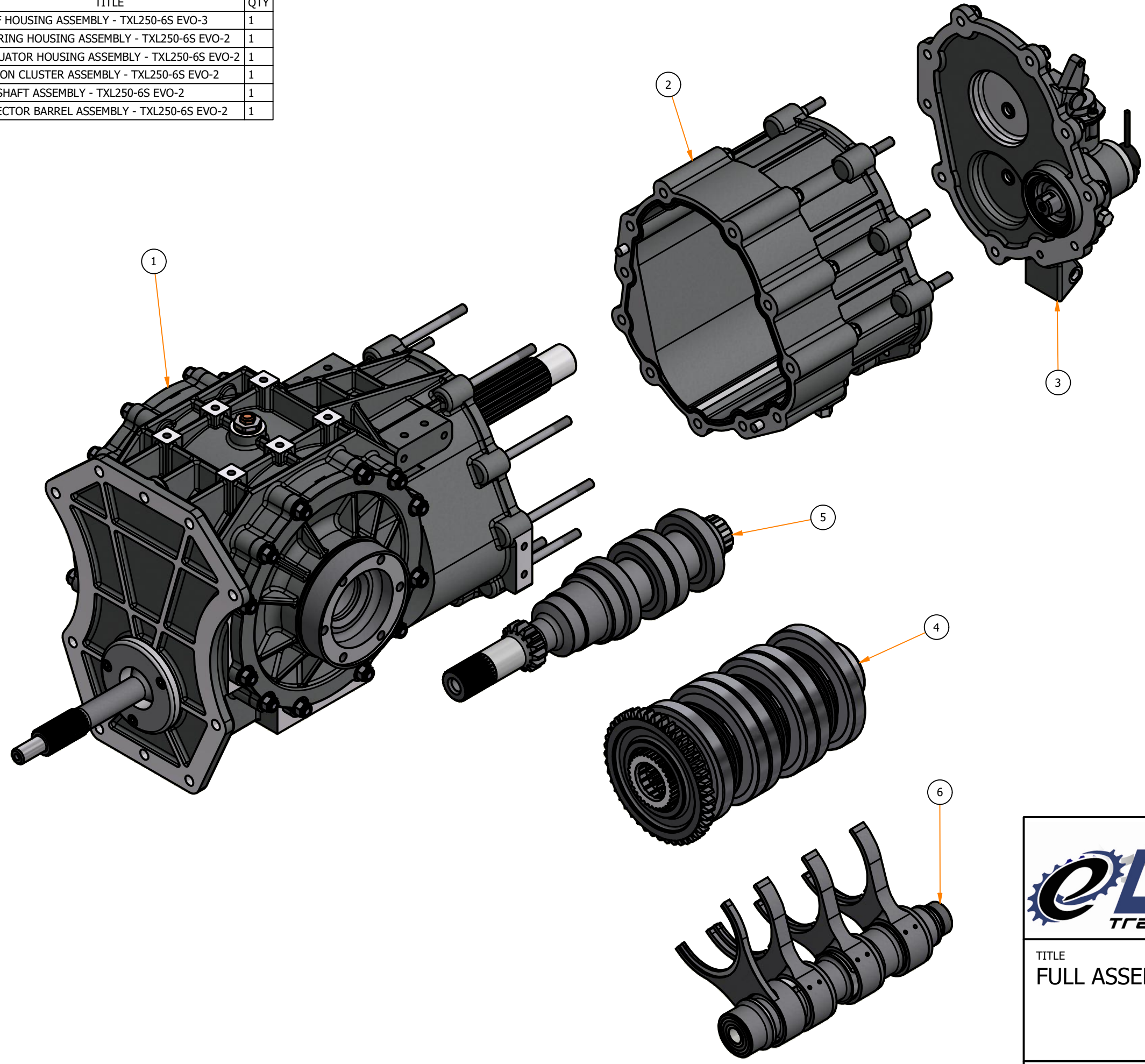


Parts List

| ITEM | PART NUMBER | TITLE | QTY |
|------|----------------|---|-----|
| 1 | ERT99192 EVO-3 | DIFF HOUSING ASSEMBLY - TXL250-6S EVO-3 | 1 |
| 2 | ERT99193 | BEARING HOUSING ASSEMBLY - TXL250-6S EVO-2 | 1 |
| 3 | ERT99194 | ACTUATOR HOUSING ASSEMBLY - TXL250-6S EVO-2 | 1 |
| 4 | ERT99195 | PINION CLUSTER ASSEMBLY - TXL250-6S EVO-2 | 1 |
| 5 | ERT99196 | LAYSHAFT ASSEMBLY - TXL250-6S EVO-2 | 1 |
| 6 | ERT99197 | SELECTOR BARREL ASSEMBLY - TXL250-6S EVO-2 | 1 |



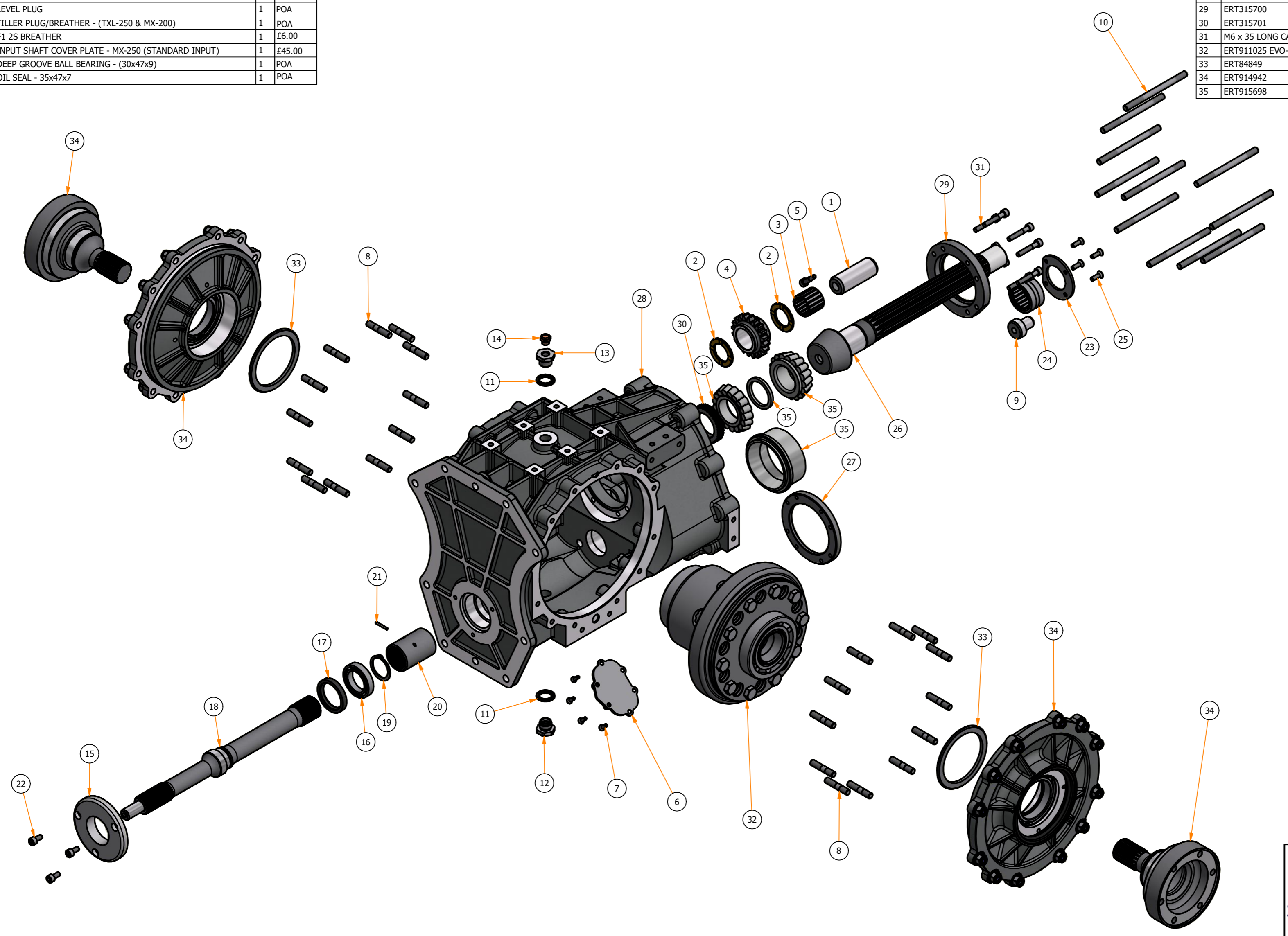
Gearworks
 Salem St.
 Etruria
 Stoke On Trent ST1 5PR
 Tel 01782 280136
 Fax 01782 269913
 Email contact@eliteracingtransmissions.com


TITLE
 FULL ASSEMBLY - TXL250-6S EVO-3

DRG. NO. ERT99199 EVO-3 ISSUE
0

| Parts List | | | | |
|------------|--------------|---|-----|--------|
| ITEM | PART NUMBER | TITLE | QTY | COST |
| 1 | ERT31961 | REVERSE IDLER SHAFT 4XL250-6S | 1 | £42.00 |
| 2 | ERT32506 | REVERSE IDLER END SPACER - TXL250-6S | 2 | £22.00 |
| 3 | ERT62084 | NEEDLE ROLLER BEARING - (25x30x26) | 1 | POA |
| 4 | ERT39175 | REVERSE IDLER GEAR - TXL250-6S EVO-2 | 1 | £75.00 |
| 5 | ERT83056 | MODIFIED CAPSCREW - TXL250-6S | 1 | £3.00 |
| 6 | ERT12500 | REVERSE COVER PLATE - TXL250-6S | 1 | £30.00 |
| 7 | M4 X 12 LONG | M4 x 12 LONG C'SUNK SCREW | 6 | POA |
| 8 | ERT83778 | DOUBLE END STUD - M8x40 | 24 | POA |
| 9 | ERT41883 | BARREL SPIGOT - 4XL250-6S | 1 | £50.00 |
| 10 | ERT85803 | M8 x 110mm THREADED BAR - (ELITE/SAKER) | 11 | POA |
| 11 | ERT89222 | FT200 - DOWTY WASHER - 16x24x2 | 2 | POA |
| 12 | ERT80811 | LEVEL PLUG | 1 | POA |
| 13 | ERT83173 | FILLER PLUG/BREATHER - (TXL-250 & MX-200) | 1 | POA |
| 14 | ERT 25 034 | F1 25 BREATHER | 1 | £6.00 |
| 15 | ERT17908 | INPUT SHAFT COVER PLATE - MX-250 (STANDARD INPUT) | 1 | £45.00 |
| 16 | ERT60033 | DEEP GROOVE BALL BEARING - (30x47x9) | 1 | POA |
| 17 | ERT81585 | OIL SEAL - 35x47x7 | 1 | POA |

| Parts List | | | | |
|------------|---------------------------|--|-----|-----------|
| ITEM | PART NUMBER | TITLE | QTY | COST |
| 18 | MASTER INPUT SHAFT | MASTER INPUT SHAFT - TXL250-6S EVO-2 | 1 | £320.00 |
| 19 | EXTERNAL CIRCLIP - 30x1.5 | EXTERNAL CIRCLIP - 30x1.5 | 1 | POA |
| 20 | ERT37883 | MUFF COUPLING - TXL250 EVO 2 & MX 250 | 1 | £75.00 |
| 21 | ERT82523 | SELOC PIN - 3 DIA x 20LG | 1 | POA |
| 22 | M6 x 12 LONG CAPSCREW | M6 x 12 LONG CAPSCREW | 3 | POA |
| 23 | ERT39178 | LAYSHAFT BEARING RETAINING PLATE - TXL250-6S EVO-2 | 1 | POA |
| 24 | ERT69168 | MACHINED RING NEEDLE ROLLER BEARING - (30x42x23) | 1 | POA |
| 25 | M5 x 16 LONG C'SUNK SCREW | M5 x 16 LONG C'SUNK SCREW | 4 | POA |
| 26 | ERT510914 EVO-3 | 9/35 PINION SHAFT - TXL250-6S EVO-3 | 1 | POA |
| 27 | ERT315699 | MX 250 EVO3 BEARING CLAMPING PLATE (TAPPED) | 1 | £55.00 |
| 28 | ERT19174 - Mk2 | DIFFERENTIAL HOUSING - TXL250-6S EVO-2 & MX 250 EVO2 | 1 | £1,150.00 |
| 29 | ERT315700 | MX 250 EVO3 BEARING CLAMPING PLATE (DRILLED) | 1 | POA |
| 30 | ERT315701 | MX 250 EVO3 PINION BRG NUT | 1 | £42.00 |
| 31 | M6 x 35 LONG CAPSCREW | M6 x 35 LONG CAPSCREW | 8 | POA |
| 32 | ERT911025 EVO-3 | LSD ASSEMBLY - TXL250-6S EVO-3 (400 SERIES) | 1 | POA |
| 33 | ERT84849 | SIDE PLATE BEARING SPACER SUPPORT - (TXL250-6S) | 2 | POA |
| 34 | ERT914942 | SIDE PLATE ASSEMBLY - TXL250-6S EVO-2 | 2 | POA |
| 35 | ERT915698 | MX 250 EVO3 TAPER ROLLER BEARING HOUSING ASSEMBLY | 1 | POA |





Gearworks
Salem St.
Etruria
Stoke On Trent ST1 5PR
Tel 01782 280136
Fax 01782 269913
Email contact@eliteracingtransmissions.com

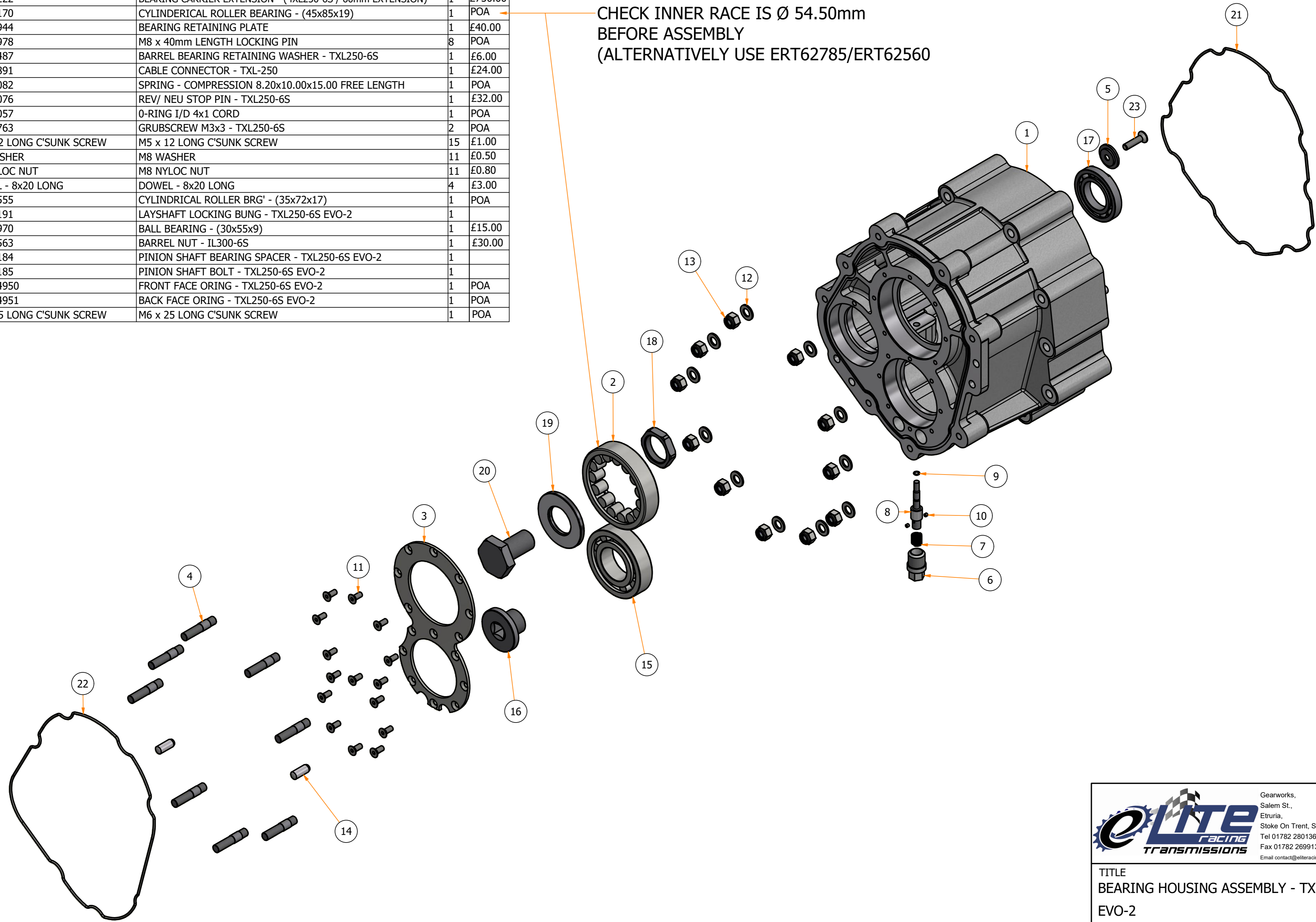
TITLE
DIFF HOUSING ASSEMBLY - TXL250-6S EVO-3


DRG. NO. **ERT99192 EVO-3** ISSUE
0

Parts List

| ITEM | PART NUMBER | TITLE | QTY | COST |
|------|---------------------------|--|-----|---------|
| 1 | ERT15222 | BEARING CARRIER EXTENSION - (4XL250-6S / 60mm EXTENSION) | 1 | £750.00 |
| 2 | ERT69170 | CYLINDRICAL ROLLER BEARING - (45x85x19) | 1 | POA |
| 3 | ERT41944 | BEARING RETAINING PLATE | 1 | £40.00 |
| 4 | ERT82978 | M8 x 40mm LENGTH LOCKING PIN | 8 | POA |
| 5 | ERT42487 | BARREL BEARING RETAINING WASHER - TXL250-6S | 1 | £6.00 |
| 6 | ERT41891 | CABLE CONNECTOR - TXL-250 | 1 | £24.00 |
| 7 | ERT83082 | SPRING - COMPRESSION 8.20x10.00x15.00 FREE LENGTH | 1 | POA |
| 8 | ERT43076 | REV/ NEU STOP PIN - TXL250-6S | 1 | £32.00 |
| 9 | ERT63057 | O-RING I/D 4x1 CORD | 1 | POA |
| 10 | ERT83763 | GRUBSCREW M3x3 - TXL250-6S | 2 | POA |
| 11 | M5 x 12 LONG C'SUNK SCREW | M5 x 12 LONG C'SUNK SCREW | 15 | £1.00 |
| 12 | M8 WASHER | M8 WASHER | 11 | £0.50 |
| 13 | M8 NYLOC NUT | M8 NYLOC NUT | 11 | £0.80 |
| 14 | DOWEL - 8x20 LONG | DOWEL - 8x20 LONG | 4 | £3.00 |
| 15 | ERT66555 | CYLINDRICAL ROLLER BRG' - (35x72x17) | 1 | POA |
| 16 | ERT39191 | LAYSHAFT LOCKING BUNG - TXL250-6S EVO-2 | 1 | |
| 17 | ERT60970 | BALL BEARING - (30x55x9) | 1 | £15.00 |
| 18 | ERT40563 | BARREL NUT - IL300-6S | 1 | £30.00 |
| 19 | ERT39184 | PINION SHAFT BEARING SPACER - TXL250-6S EVO-2 | 1 | |
| 20 | ERT39185 | PINION SHAFT BOLT - TXL250-6S EVO-2 | 1 | |
| 21 | ERT814950 | FRONT FACE ORING - TXL250-6S EVO-2 | 1 | POA |
| 22 | ERT814951 | BACK FACE ORING - TXL250-6S EVO-2 | 1 | POA |
| 23 | M6 x 25 LONG C'SUNK SCREW | M6 x 25 LONG C'SUNK SCREW | 1 | POA |

CHECK INNER RACE IS Ø 54.50mm
BEFORE ASSEMBLY
(ALTERNATIVELY USE ERT62785/ERT62560)





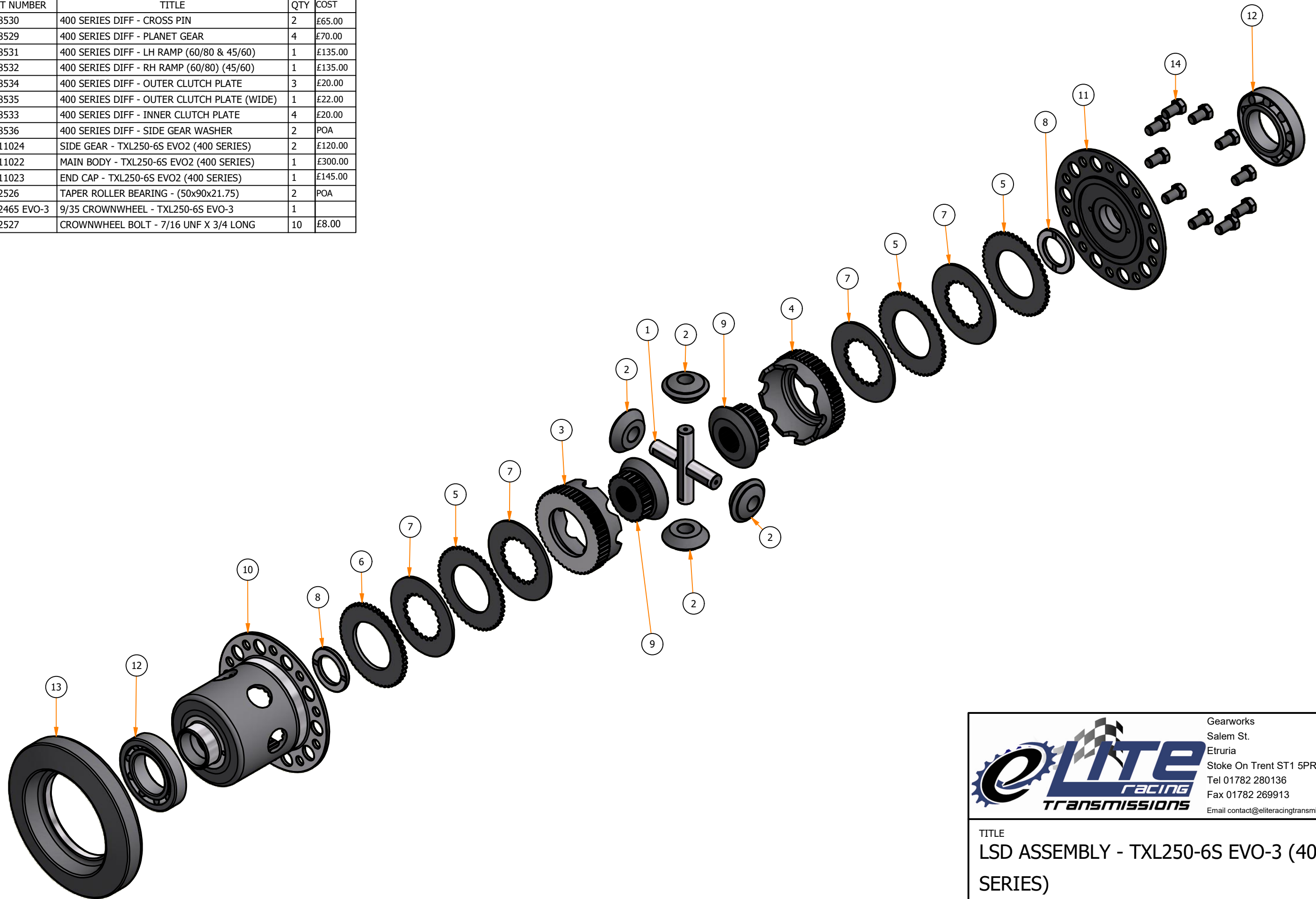
Gearworks,
Salem St.,
Etruria,
Stoke On Trent, ST1 5PR.
Tel 01782 280136,
Fax 01782 269913,
Email contact@eliteracingtransmissions.com

TITLE
BEARING HOUSING ASSEMBLY - TXL250-6S
EVO-2

DRG. No. ERT99193 Issue 0

Parts List

| ITEM | PART NUMBER | TITLE | QTY | COST |
|------|----------------|---|-----|---------|
| 1 | ERT28530 | 400 SERIES DIFF - CROSS PIN | 2 | £65.00 |
| 2 | ERT28529 | 400 SERIES DIFF - PLANET GEAR | 4 | £70.00 |
| 3 | ERT28531 | 400 SERIES DIFF - LH RAMP (60/80 & 45/60) | 1 | £135.00 |
| 4 | ERT28532 | 400 SERIES DIFF - RH RAMP (60/80) (45/60) | 1 | £135.00 |
| 5 | ERT28534 | 400 SERIES DIFF - OUTER CLUTCH PLATE | 3 | £20.00 |
| 6 | ERT28535 | 400 SERIES DIFF - OUTER CLUTCH PLATE (WIDE) | 1 | £22.00 |
| 7 | ERT28533 | 400 SERIES DIFF - INNER CLUTCH PLATE | 4 | £20.00 |
| 8 | ERT28536 | 400 SERIES DIFF - SIDE GEAR WASHER | 2 | POA |
| 9 | ERT211024 | SIDE GEAR - TXL250-6S EVO2 (400 SERIES) | 2 | £120.00 |
| 10 | ERT211022 | MAIN BODY - TXL250-6S EVO2 (400 SERIES) | 1 | £300.00 |
| 11 | ERT211023 | END CAP - TXL250-6S EVO2 (400 SERIES) | 1 | £145.00 |
| 12 | ERT62526 | TAPER ROLLER BEARING - (50x90x21.75) | 2 | POA |
| 13 | ERT22465 EVO-3 | 9/35 CROWNWHEEL - TXL250-6S EVO-3 | 1 | |
| 14 | ERT82527 | CROWNWHEEL BOLT - 7/16 UNF X 3/4 LONG | 10 | £8.00 |



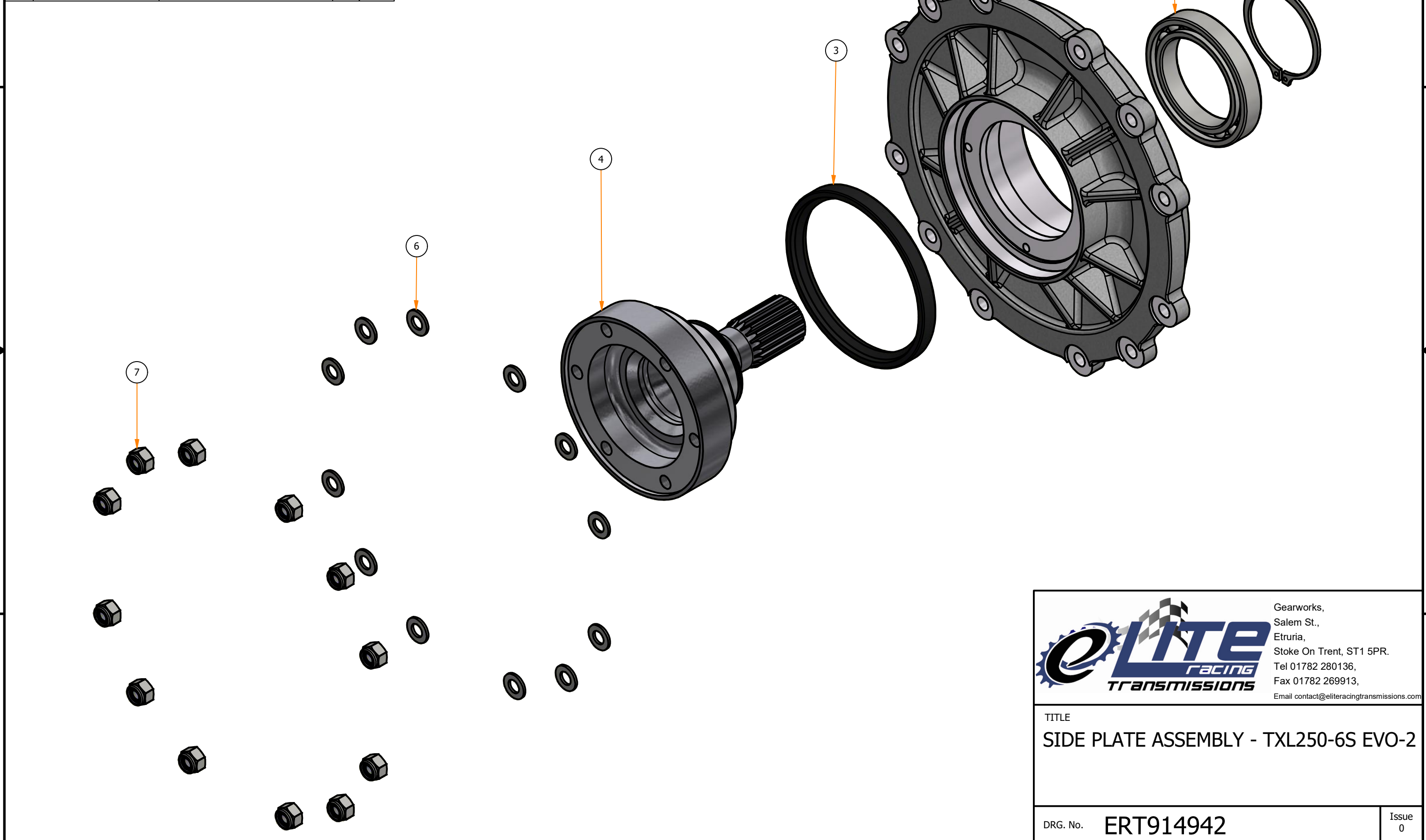
Gearworks
 Salem St.
 Etruria
 Stoke On Trent ST1 5PR
 Tel 01782 280136
 Fax 01782 269913
 Email contact@eliteracingtransmissions.com

TITLE
LSD ASSEMBLY - TXL250-6S EVO-3 (400 SERIES)

DRG. NO. **ERT911025 EVO-3**

ISSUE
 0

| Parts List | | | | |
|------------|------------------------|---------------------------|-----|---------|
| ITEM | PART NUMBER | TITLE | QTY | COST |
| 1 | ERT12153 | SIDEPLATE - TXL250-6S | 1 | £320.00 |
| 2 | ERT62505 | BALL BEARING - (55x80x13) | 1 | POA |
| 3 | ERT63761 | OIL SEAL - 95x110x10 | 1 | £12.50 |
| 4 | ERT50150 | HEAVY DUTY OUTPUT SHAFT | 1 | £450.00 |
| 5 | ANSI B 27.7M - 3AMI-55 | EXTERNAL CIRCLIP - 55x2 | 1 | £2.00 |
| 6 | M8 WASHER | M8 WASHER | 12 | £0.50 |
| 7 | M8 NYLOC NUT | M8 NYLOC NUT | 12 | £1.00 |

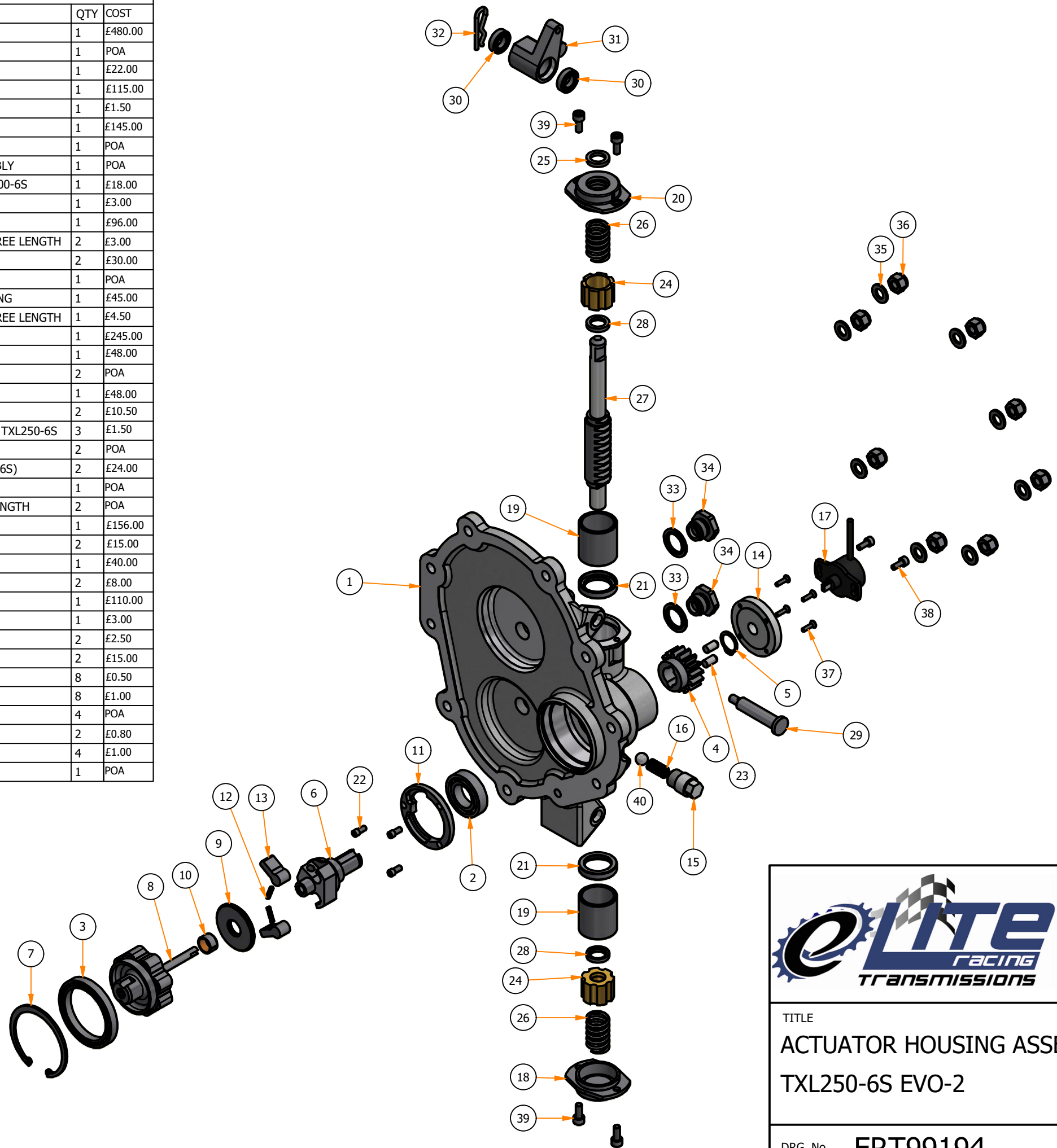



 Gearworks,
 Salem St.,
 Etruria,
 Stoke On Trent, ST1 5PR.
 Tel 01782 280136,
 Fax 01782 269913,
 Email contact@eliteracingtransmissions.com

TITLE
SIDE PLATE ASSEMBLY - TXL250-6S EVO-2

DRG. No. **ERT914942** Issue 0

| Parts List | | | | |
|------------|---------------------------|--|-----|---------|
| ITEM | PART NUMBER | TITLE | QTY | COST |
| 1 | ERT12122 | SELECTOR HOUSING - TXL250-6S | 1 | £480.00 |
| 2 | ERT62082 | BALL BEARING - (20x37x9) | 1 | POA |
| 3 | ERT60525 | BALL BEARING - (45x58x7) | 1 | £22.00 |
| 4 | ERT40509 | RATCHET INPUT GEAR IL-300 6S | 1 | £115.00 |
| 5 | EXTERNAL CIRCLIP - 15x1 | EXTERNAL CIRCLIP - 15x1 | 1 | £1.50 |
| 6 | ERT40504 | RATCHET INPUT - IL300-6S | 1 | £145.00 |
| 7 | INTERNAL CIRCLIP - 58x2 | INTERNAL CIRCLIP - 58x2 | 1 | POA |
| 8 | ERT98930 | TXL250 UPRATED POT DRIVE WELD ASSEMBLY | 1 | POA |
| 9 | ERT40506 | ACTUATOR RATCHET THRUST SPACER - IL300-6S | 1 | £18.00 |
| 10 | ERT60600 | DU BUSH - 1208DU (12x14x8) | 1 | £3.00 |
| 11 | ERT40548 | STOP GUIDE PLATE - TXL250-6S | 1 | £96.00 |
| 12 | ERT80561 | COMPRESSION SPRING - 3.70x5.00x20.00 FREE LENGTH | 2 | £3.00 |
| 13 | ERT40508 | RATCHET PAWLS | 2 | £30.00 |
| 14 | ERT17763 | RATCHET END PLATE CAP - (TXL250) | 1 | POA |
| 15 | ERT48932 | TXL250 UPRATED DETENT PLUNGER HOUSING | 1 | £45.00 |
| 16 | ERT80560 | COMPRESSION SPRING - 6.20x9.00x19.10 FREE LENGTH | 1 | £4.50 |
| 17 | ERT80449 | POTENTIOMETER | 1 | £245.00 |
| 18 | ERT11947 | RACK CAP - 4XL250-6S | 1 | £48.00 |
| 19 | ERT63276 | INNER RACE - (25x30x32) | 2 | POA |
| 20 | ERT13090 (ISSUE 2) | RACK CAP - 4XL250-6S | 1 | £48.00 |
| 21 | ERT43275 | STOP PLATE - RACK TXL250-6S | 2 | £10.50 |
| 22 | ERT42492 | MODIFIED CAPSCREW - STOP GUIDE PLATE TXL250-6S | 3 | £1.50 |
| 23 | DOWEL - 6x12 LONG | DOWEL - 6x12 LONG | 2 | POA |
| 24 | ERT41946 | RACK BEARING HOLDER (SUBARU / TXL250-6S) | 2 | £24.00 |
| 25 | ERT68606 | LIP SEAL - 12x18x3 | 1 | POA |
| 26 | ERT83393 - 28.15mm LENGTH | SPRING - FLEXP 13.50x18.20x38.10 FREE LENGTH | 2 | POA |
| 27 | ERT31962 | RACK (SUBARU / TXL250-6S) | 1 | £156.00 |
| 28 | ERT40657 | SHUTTLE ADJUSTMENT SPACER - IL300-6S | 2 | £15.00 |
| 29 | ERT42495 | BELLCRANK PIVOT SHAFT | 1 | £40.00 |
| 30 | ERT62496 | BALL BEARING - (10x19x5) | 2 | £8.00 |
| 31 | ERT42507 | BELLCRANK - TXL250-6S | 1 | £110.00 |
| 32 | ERT82775 | R CLIP - 10mm SHAFT | 1 | £3.00 |
| 33 | ERT63974 | DOWTY WASHER (16.5 x 24.1) - IL220-6S | 2 | £2.50 |
| 34 | ERT80811 | LEVEL PLUG | 2 | £15.00 |
| 35 | M8 WASHER | M8 WASHER | 8 | £0.50 |
| 36 | M8 NYLOC NUT | M8 NYLOC NUT | 8 | £1.00 |
| 37 | M3 X 12 LONG C'SUNK SCREW | M3 x 16 LONG C'SUNK SCREW | 4 | POA |
| 38 | M4 x 10 LONG CAPSCREW | M4 x 10 LONG CAPSCREW | 2 | £0.80 |
| 39 | M5 x 12 LONG CAPSCREW | M5 x 12 LONG CAPSCREW | 4 | £1.00 |
| 40 | ERT63416 | 3/8" BALL BEARING | 1 | POA |



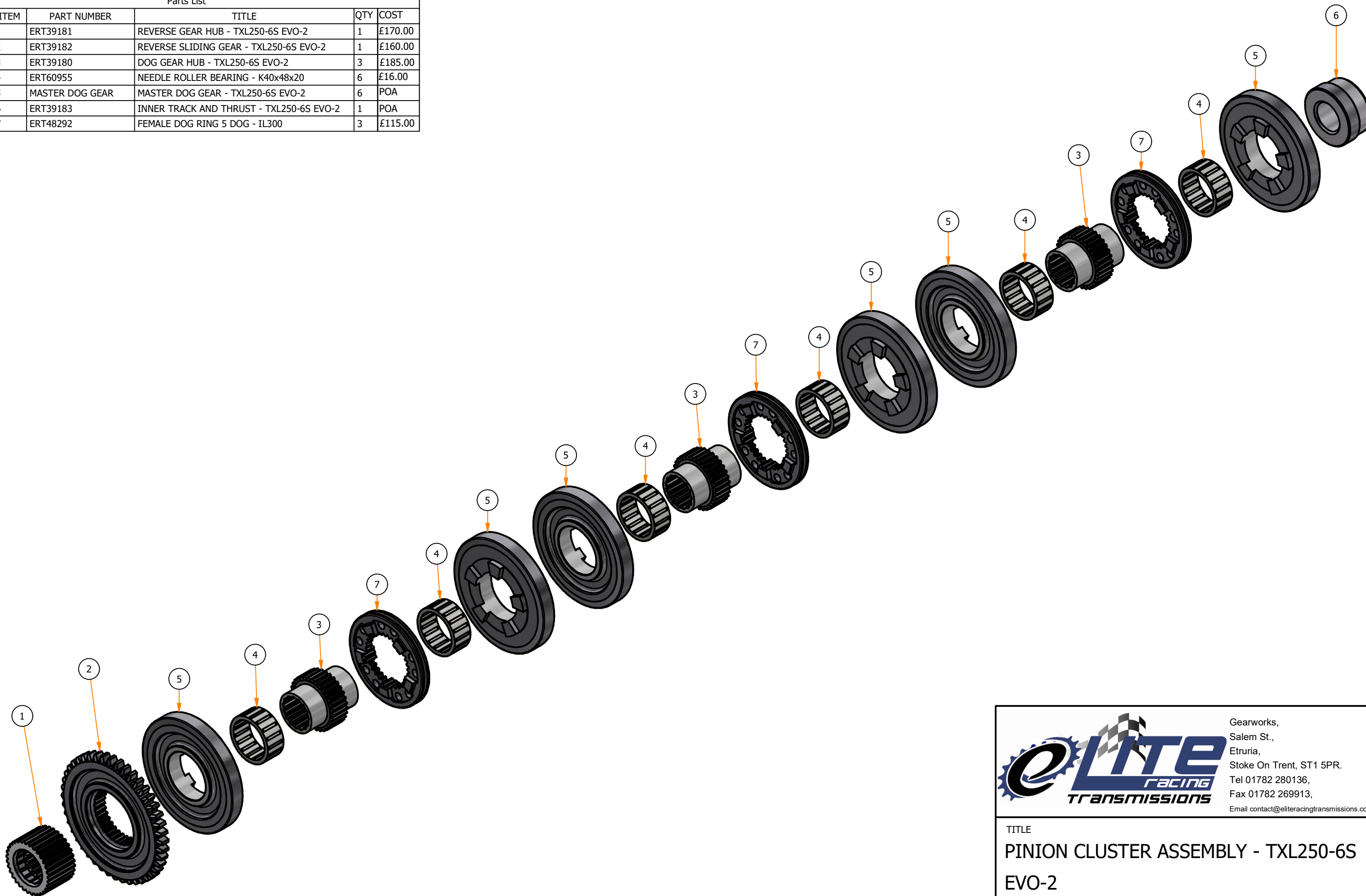

 Gearworks,
 Salem St.,
 Etruria,
 Stoke On Trent, ST1 5PR.
 Tel 01782 280136,
 Fax 01782 269913,
 Email contact@eliteracingtransmissions.com

TITLE
**ACTUATOR HOUSING ASSEMBLY -
 TXL250-6S EVO-2**

DRG. No. **ERT99194**

Issue
0

| Parts List | | | | |
|------------|-----------------|--|-----|---------|
| ITEM | PART NUMBER | TITLE | QTY | COST |
| 1 | ERT39181 | REVERSE GEAR HUB - TXL250-6S EVO-2 | 1 | £170.00 |
| 2 | ERT39182 | REVERSE SLIDING GEAR - TXL250-6S EVO-2 | 1 | £160.00 |
| 3 | ERT39180 | DOG GEAR HUB - TXL250-6S EVO-2 | 3 | £185.00 |
| 4 | ERT60955 | NEEDLE ROLLER BEARING - K40x48x20 | 6 | £16.00 |
| 5 | MASTER DOG GEAR | MASTER DOG GEAR - TXL250-6S EVO-2 | 6 | POA |
| 6 | ERT39183 | INNER TRACK AND THRUST - TXL250-6S EVO-2 | 1 | POA |
| 7 | ERT48292 | FEMALE DOG RING 5 DOG - IL300 | 3 | £115.00 |

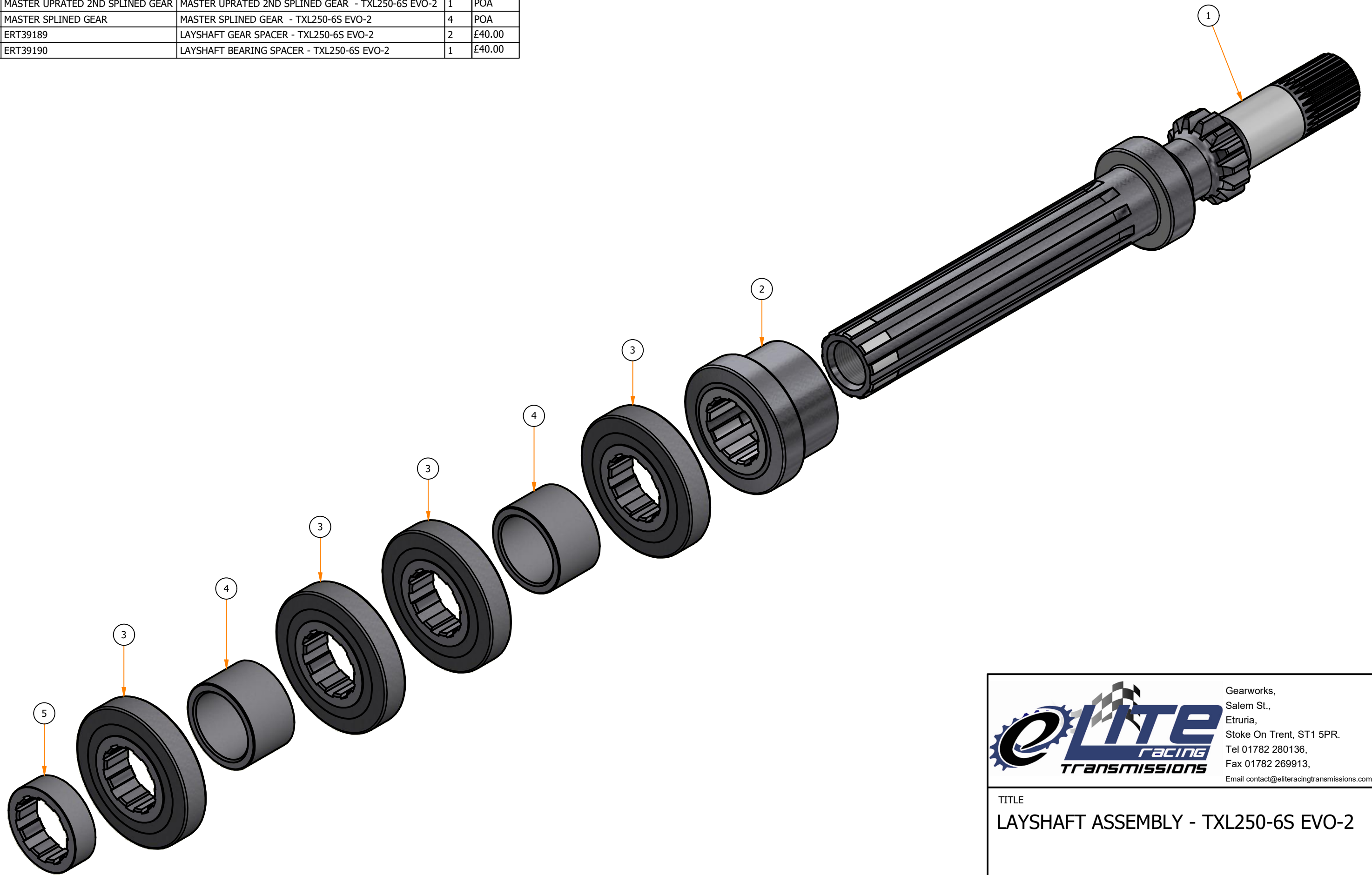



 Gearworks,
 Salem St.,
 Etruria,
 Stoke On Trent, ST1 5PR.
 Tel 01782 280136,
 Fax 01782 269913,
 Email contact@eliteracingtransmissions.com

TITLE
**PINION CLUSTER ASSEMBLY - TXL250-6S
 EVO-2**

DRG. No. **ERT99195** Issue
0

| Parts List | | | | |
|------------|---------------------------------|---|-----|--------|
| ITEM | PART NUMBER | TITLE | QTY | COST |
| 1 | MASTER LAYSHAFT (1ST GEAR) | MASTER LAYSHAFT (1ST GEAR) - TXL250-6S EVO-2 | 1 | POA |
| 2 | MASTER UPRATED 2ND SPLINED GEAR | MASTER UPRATED 2ND SPLINED GEAR - TXL250-6S EVO-2 | 1 | POA |
| 3 | MASTER SPLINED GEAR | MASTER SPLINED GEAR - TXL250-6S EVO-2 | 4 | POA |
| 4 | ERT39189 | LAYSHAFT GEAR SPACER - TXL250-6S EVO-2 | 2 | £40.00 |
| 5 | ERT39190 | LAYSHAFT BEARING SPACER - TXL250-6S EVO-2 | 1 | £40.00 |

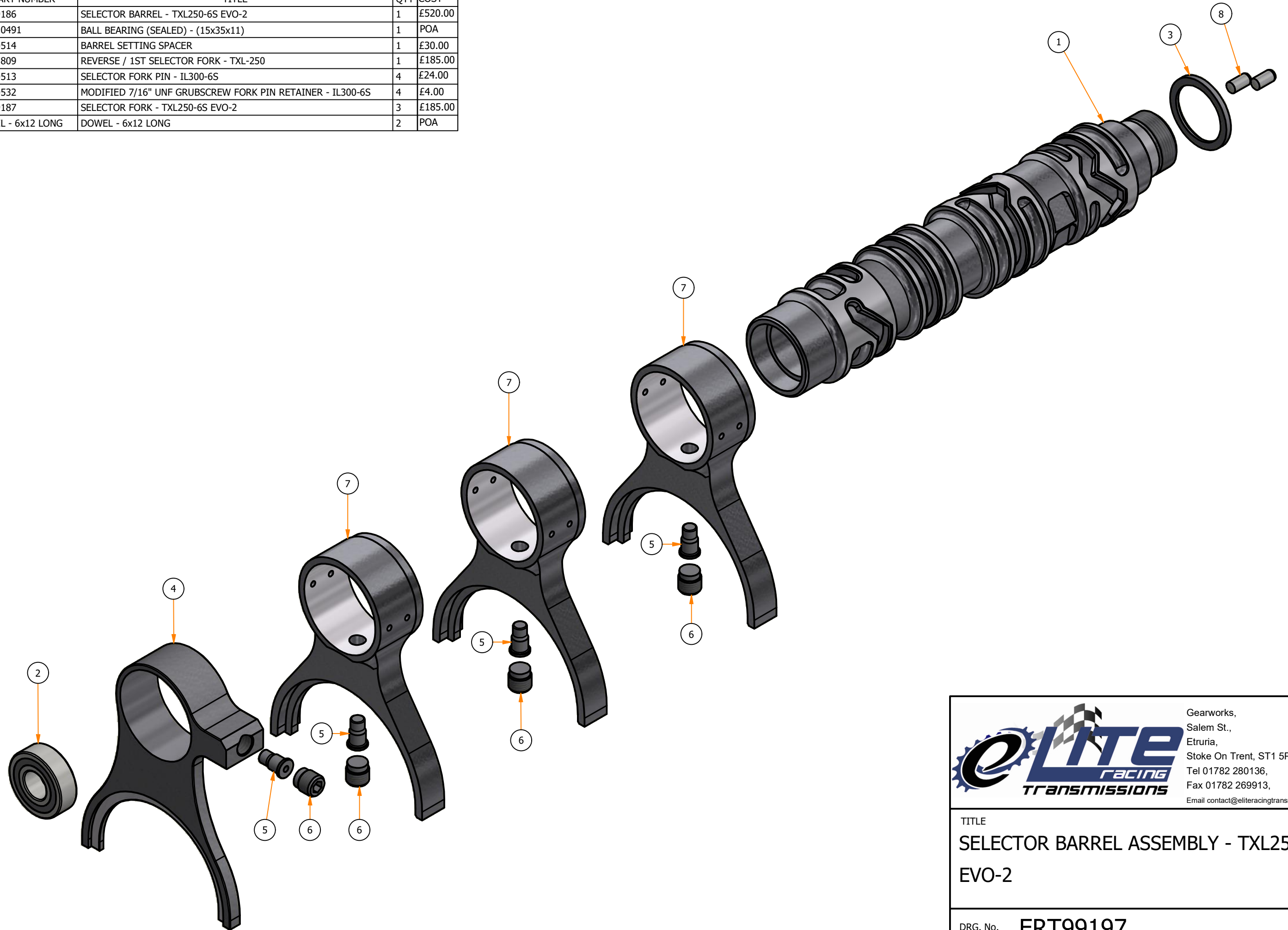



 Gearworks,
 Salem St.,
 Etruria,
 Stoke On Trent, ST1 5PR.
 Tel 01782 280136,
 Fax 01782 269913,
 Email contact@eliteracingtransmissions.com

TITLE
LAYSHAFT ASSEMBLY - TXL250-6S EVO-2

DRG. No. **ERT99196** Issue
 0

| Parts List | | | | |
|------------|-------------------|---|-----|---------|
| ITEM | PART NUMBER | TITLE | QTY | COST |
| 1 | ERT49186 | SELECTOR BARREL - TXL250-6S EVO-2 | 1 | £520.00 |
| 2 | ERT610491 | BALL BEARING (SEALED) - (15x35x11) | 1 | POA |
| 3 | ERT40514 | BARREL SETTING SPACER | 1 | £30.00 |
| 4 | ERT41809 | REVERSE / 1ST SELECTOR FORK - TXL-250 | 1 | £185.00 |
| 5 | ERT40513 | SELECTOR FORK PIN - IL300-6S | 4 | £24.00 |
| 6 | ERT80532 | MODIFIED 7/16" UNF GRUBSCREW FORK PIN RETAINER - IL300-6S | 4 | £4.00 |
| 7 | ERT49187 | SELECTOR FORK - TXL250-6S EVO-2 | 3 | £185.00 |
| 8 | DOWEL - 6x12 LONG | DOWEL - 6x12 LONG | 2 | POA |




 Gearworks,
 Salem St.,
 Etruria,
 Stoke On Trent, ST1 5PR.
 Tel 01782 280136,
 Fax 01782 269913,
 Email contact@eliteracingtransmissions.com

TITLE
**SELECTOR BARREL ASSEMBLY - TXL250-6S
 EVO-2**

DRG. No. **ERT99197** Issue
0