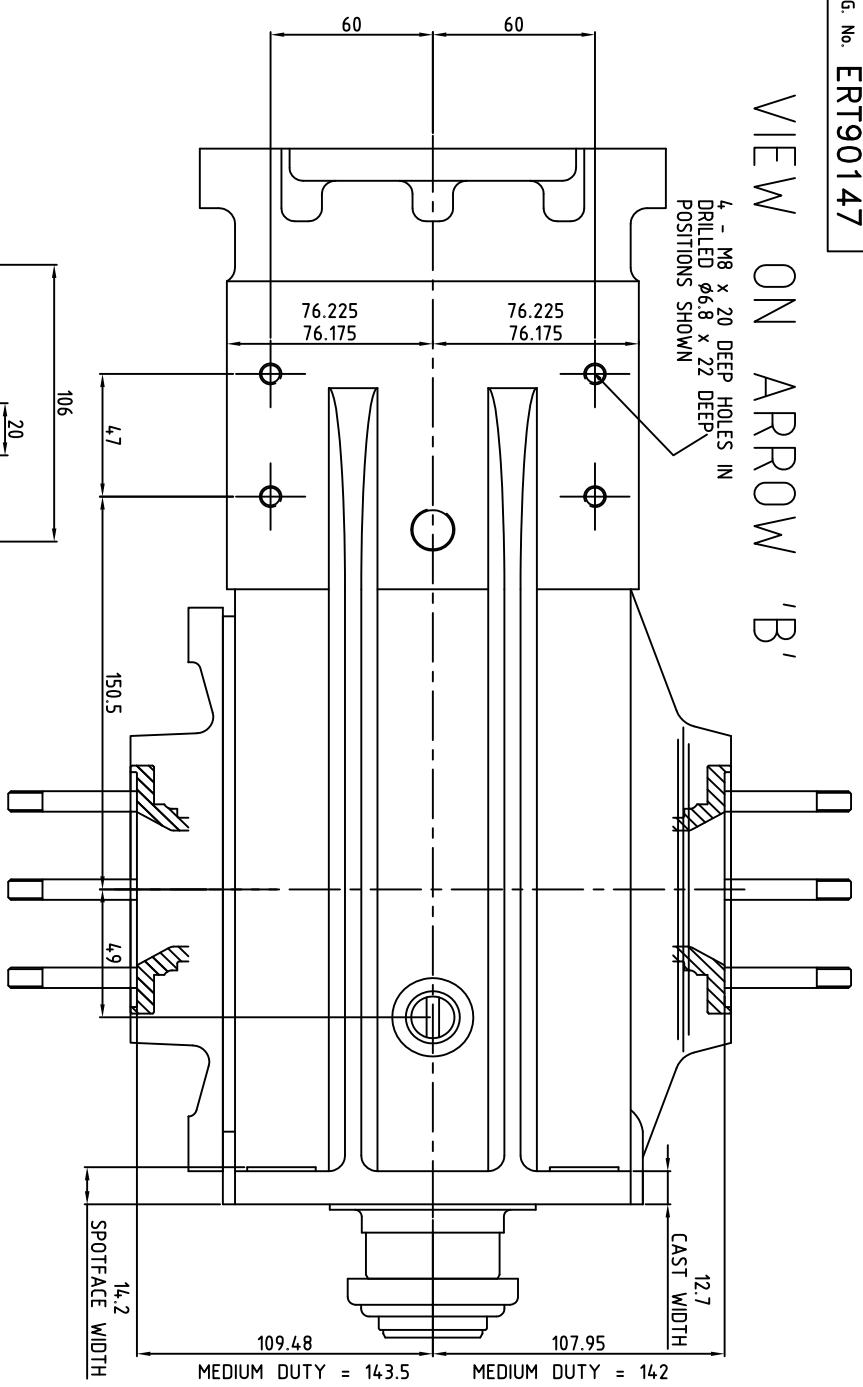
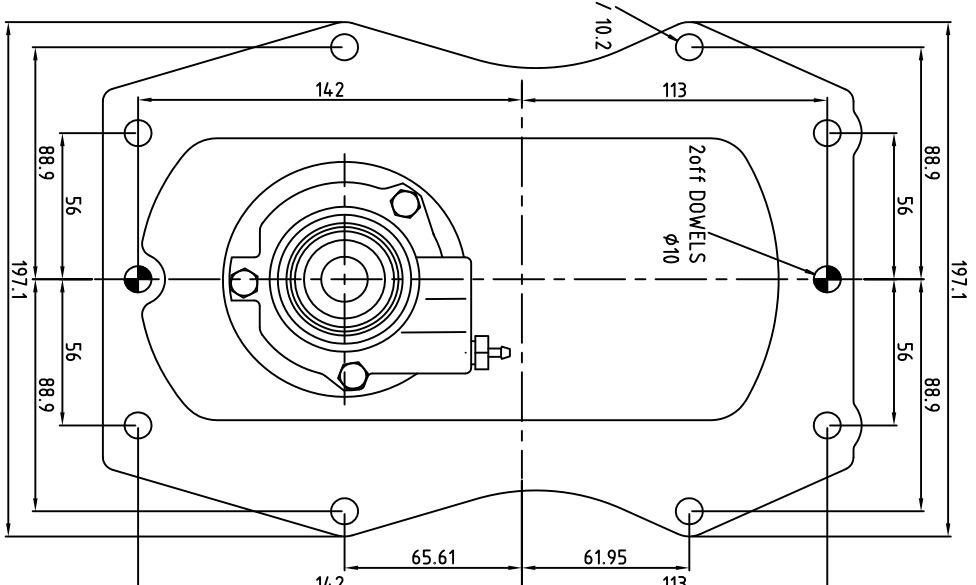
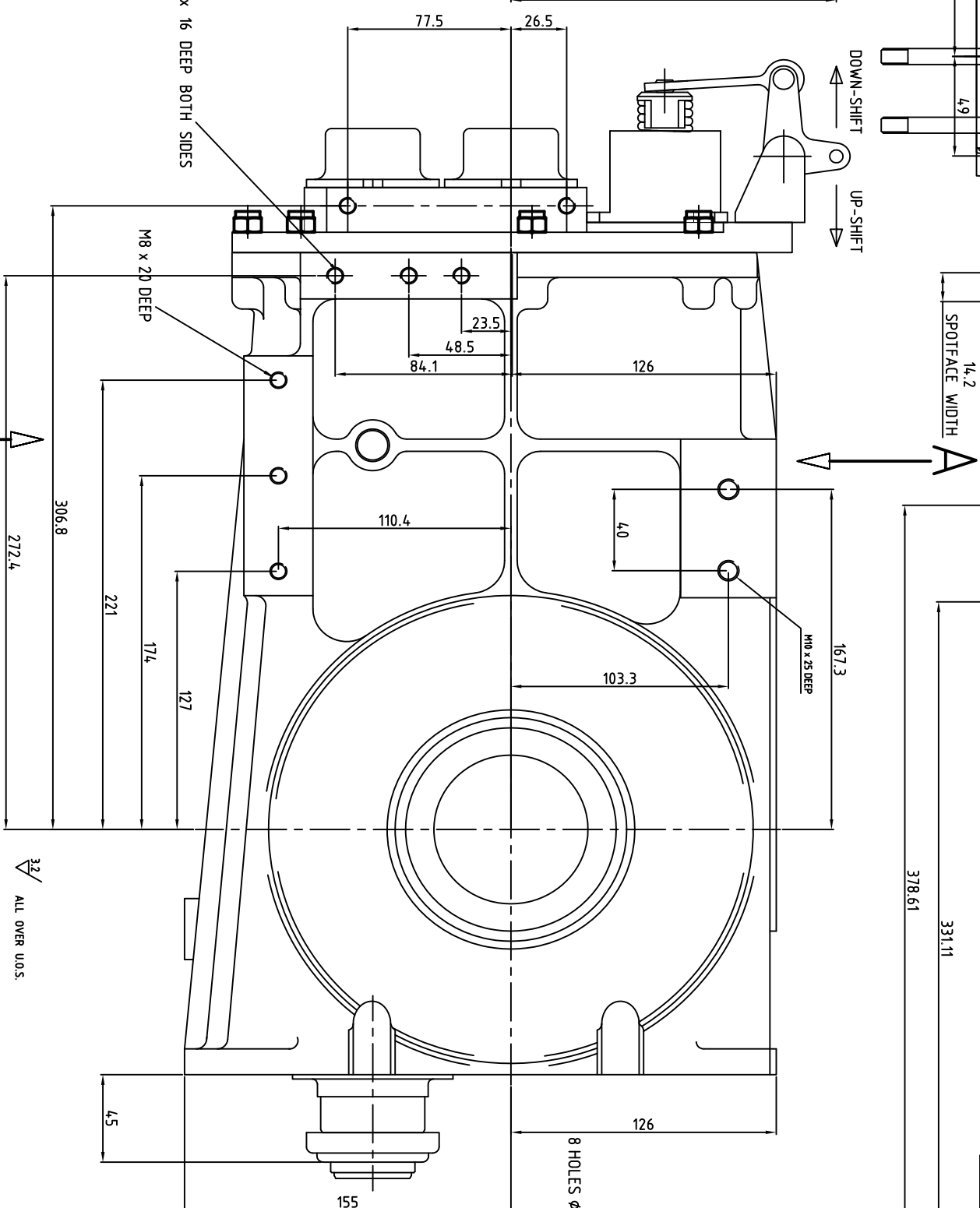
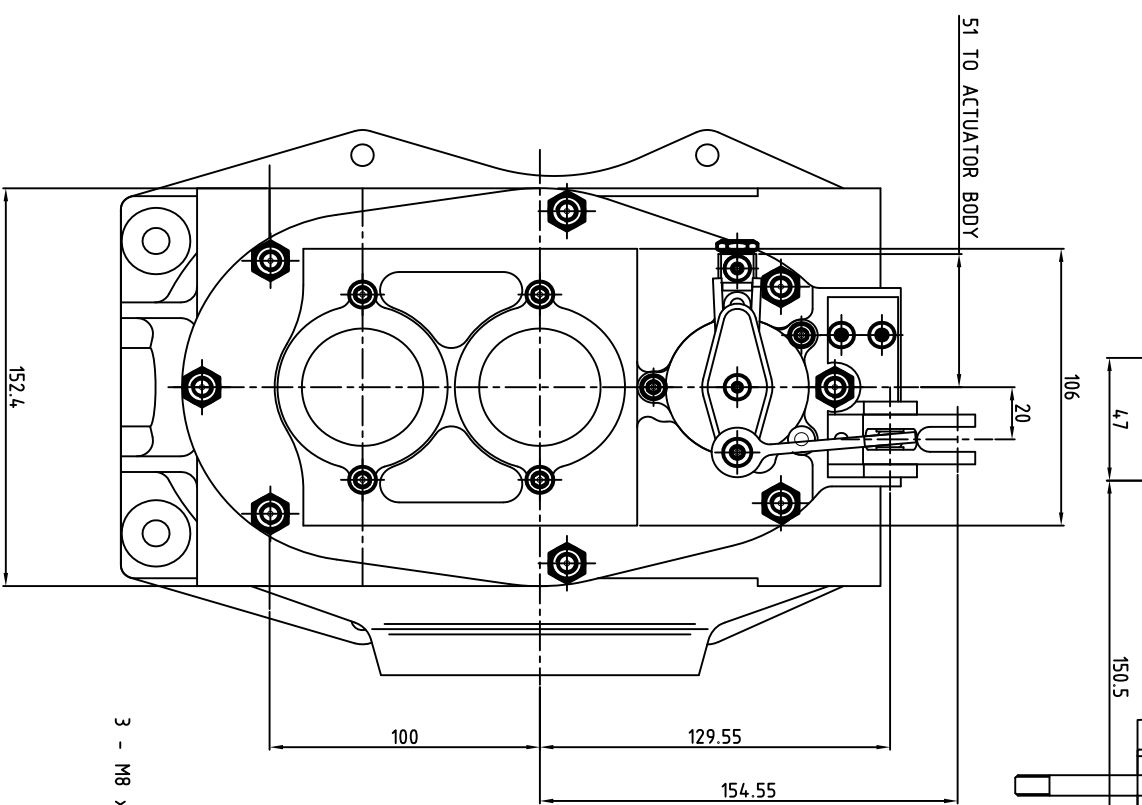
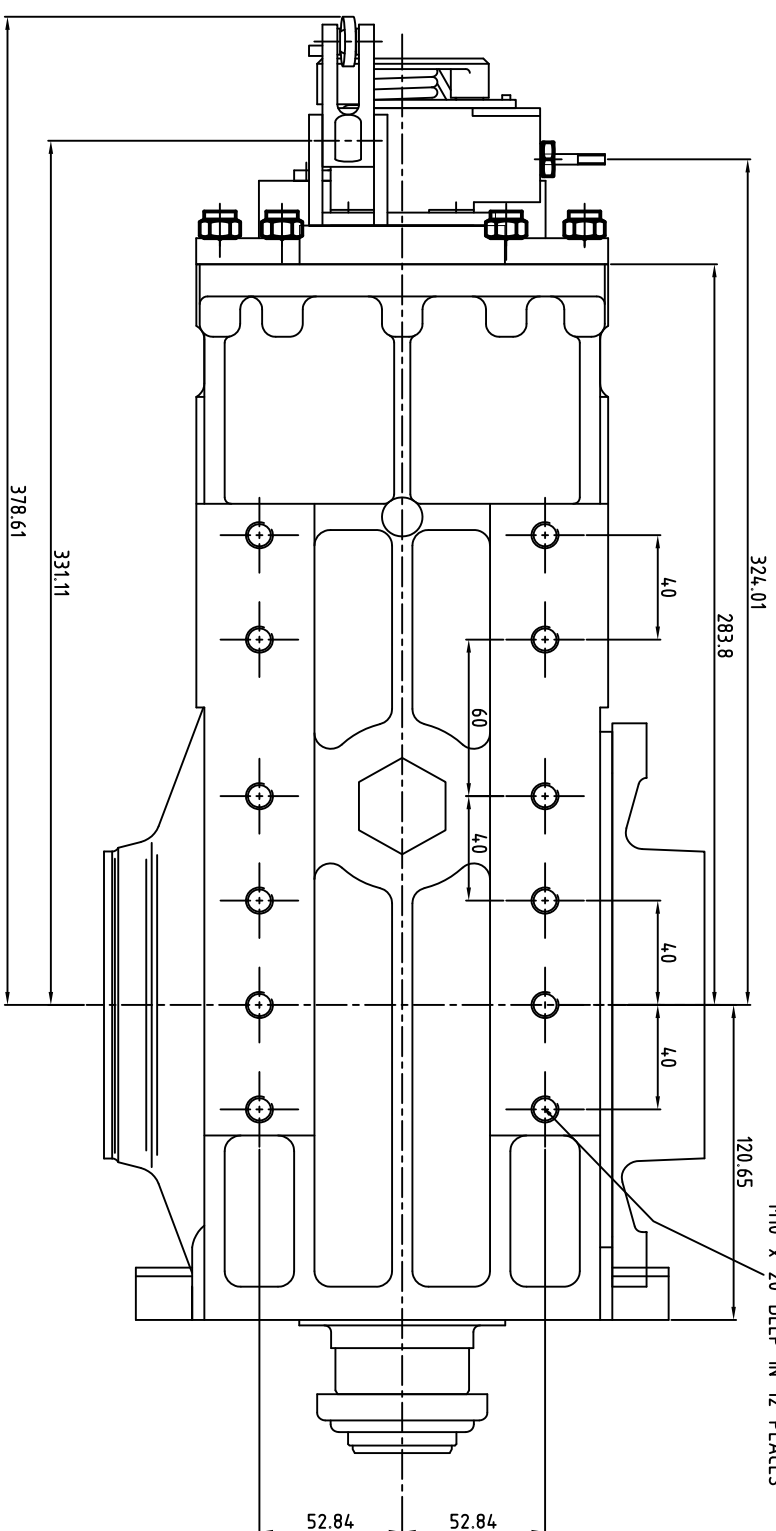


VIEW ON ARROW 'B'



VIEW ON ARROW 'A'



32/ ALL OVER U.S.

UNLESS OTHERWISE STATED

TOLERANCES = +/- 0° 0' 30"
 ANGULAR DIMENSIONS = +/- 0.5mm = +/- 0.02"
 SURFACE FINISH IN Lip

REMOVE ALL SHARP EDGES & BURRS

SCALE	DMS	DATE	TITLE
DRAWN	DEFENTON	28-11-02	Elite Racing Transmissions
CHECKED			The Gearworks, Salem Street, Etnurra, Stoke-on-Trent, Staffs, ST1 3HR Tel: 01782 280136 Fax: 01782 269913
MATERIAL		SURFACE HARDNESS	
-		MIN -	
-		MAX - Rc	
-		CORE STRENGTH - N/SA.mm.	
-		INSTALLATION DRAWING	
-		TXL200-5S	

DO NOT SCALE



DRG. No. ERT90147

ISSUE 1