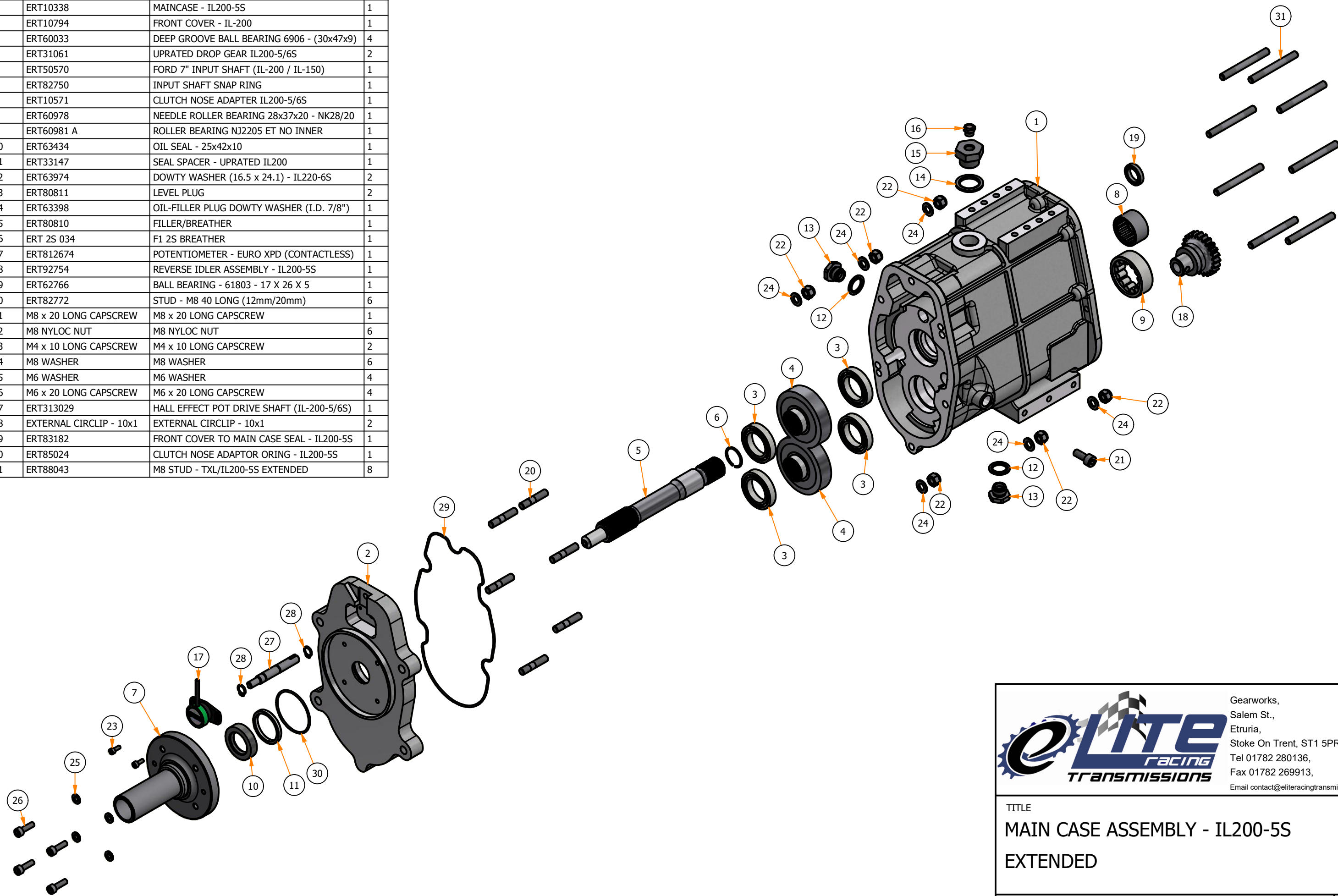


Parts List			
ITEM	PART NUMBER	TITLE	QTY
1	ERT10338	MAINCASE - IL200-5S	1
2	ERT10794	FRONT COVER - IL-200	1
3	ERT60033	DEEP GROOVE BALL BEARING 6906 - (30x47x9)	4
4	ERT31061	UPRATED DROP GEAR IL200-5/6S	2
5	ERT50570	FORD 7" INPUT SHAFT (IL-200 / IL-150)	1
6	ERT82750	INPUT SHAFT SNAP RING	1
7	ERT10571	CLUTCH NOSE ADAPTER IL200-5/6S	1
8	ERT60978	NEEDLE ROLLER BEARING 28x37x20 - NK28/20	1
9	ERT60981 A	ROLLER BEARING NJ2205 ET NO INNER	1
10	ERT63434	OIL SEAL - 25x42x10	1
11	ERT33147	SEAL SPACER - UPRATED IL200	1
12	ERT63974	DOWTY WASHER (16.5 x 24.1) - IL220-6S	2
13	ERT80811	LEVEL PLUG	2
14	ERT63398	OIL-FILLER PLUG DOWTY WASHER (I.D. 7/8")	1
15	ERT80810	FILLER/BREATHER	1
16	ERT 2S 034	F1 2S BREATHER	1
17	ERT812674	POTENTIOMETER - EURO XPD (CONTACTLESS)	1
18	ERT92754	REVERSE IDLER ASSEMBLY - IL200-5S	1
19	ERT62766	BALL BEARING - 61803 - 17 X 26 X 5	1
20	ERT82772	STUD - M8 40 LONG (12mm/20mm)	6
21	M8 x 20 LONG CAPSCREW	M8 x 20 LONG CAPSCREW	1
22	M8 NYLOC NUT	M8 NYLOC NUT	6
23	M4 x 10 LONG CAPSCREW	M4 x 10 LONG CAPSCREW	2
24	M8 WASHER	M8 WASHER	6
25	M6 WASHER	M6 WASHER	4
26	M6 x 20 LONG CAPSCREW	M6 x 20 LONG CAPSCREW	4
27	ERT313029	HALL EFFECT POT DRIVE SHAFT (IL-200-5/6S)	1
28	EXTERNAL CIRCLIP - 10x1	EXTERNAL CIRCLIP - 10x1	2
29	ERT83182	FRONT COVER TO MAIN CASE SEAL - IL200-5S	1
30	ERT85024	CLUTCH NOSE ADAPTOR ORING - IL200-5S	1
31	ERT88043	M8 STUD - TXL/IL200-5S EXTENDED	8




 Gearworks,
 Salem St.,
 Etruria,
 Stoke On Trent, ST1 5PR.
 Tel 01782 280136,
 Fax 01782 269913,
 Email contact@eliteracingtransmissions.com

TITLE
**MAIN CASE ASSEMBLY - IL200-5S
 EXTENDED**

DRG. No. **ERT98920**
Issue
0