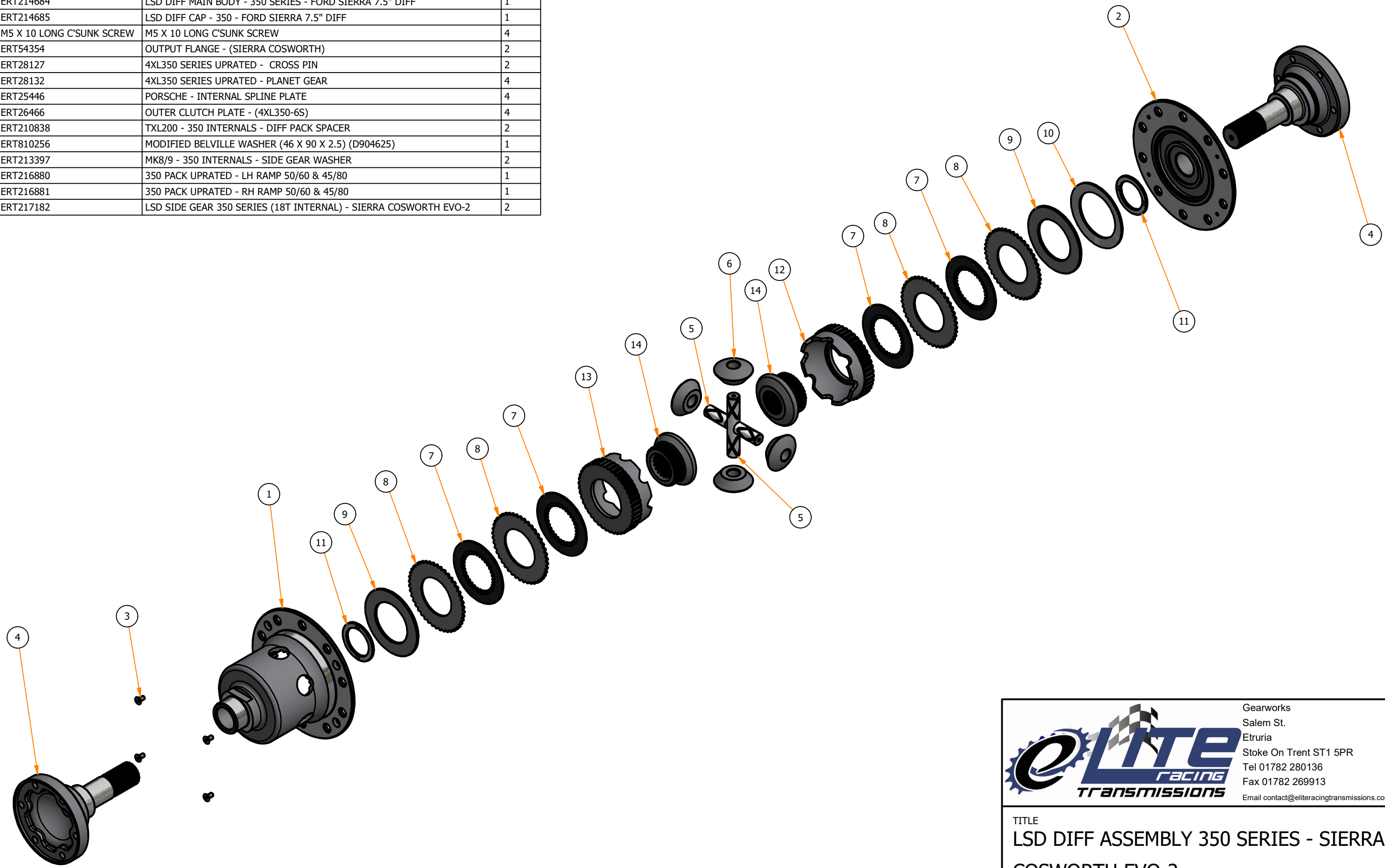


Parts List			
ITEM	PART NUMBER	TITLE	QTY
1	ERT214684	LSD DIFF MAIN BODY - 350 SERIES - FORD SIERRA 7.5" DIFF	1
2	ERT214685	LSD DIFF CAP - 350 - FORD SIERRA 7.5" DIFF	1
3	M5 X 10 LONG C'SUNK SCREW	M5 X 10 LONG C'SUNK SCREW	4
4	ERT54354	OUTPUT FLANGE - (SIERRA COSWORTH)	2
5	ERT28127	4XL350 SERIES UPRATED - CROSS PIN	2
6	ERT28132	4XL350 SERIES UPRATED - PLANET GEAR	4
7	ERT25446	PORSCHER - INTERNAL SPLINE PLATE	4
8	ERT26466	OUTER CLUTCH PLATE - (4XL350-6S)	4
9	ERT210838	TXL200 - 350 INTERNALS - DIFF PACK SPACER	2
10	ERT810256	MODIFIED BELVILLE WASHER (46 X 90 X 2.5) (D904625)	1
11	ERT213397	MK8/9 - 350 INTERNALS - SIDE GEAR WASHER	2
12	ERT216880	350 PACK UPRATED - LH RAMP 50/60 & 45/80	1
13	ERT216881	350 PACK UPRATED - RH RAMP 50/60 & 45/80	1
14	ERT217182	LSD SIDE GEAR 350 SERIES (18T INTERNAL) - SIERRA COSWORTH EVO-2	2




 Gearworks
 Salem St.
 Etruria
 Stoke On Trent ST1 5PR
 Tel 01782 280136
 Fax 01782 269913
 Email contact@eliteracingtransmissions.com

TITLE
**LSD DIFF ASSEMBLY 350 SERIES - SIERRA
 COSWORTH EVO-2**

DRG. NO. ERT917184	ISSUE 0
---------------------------	------------