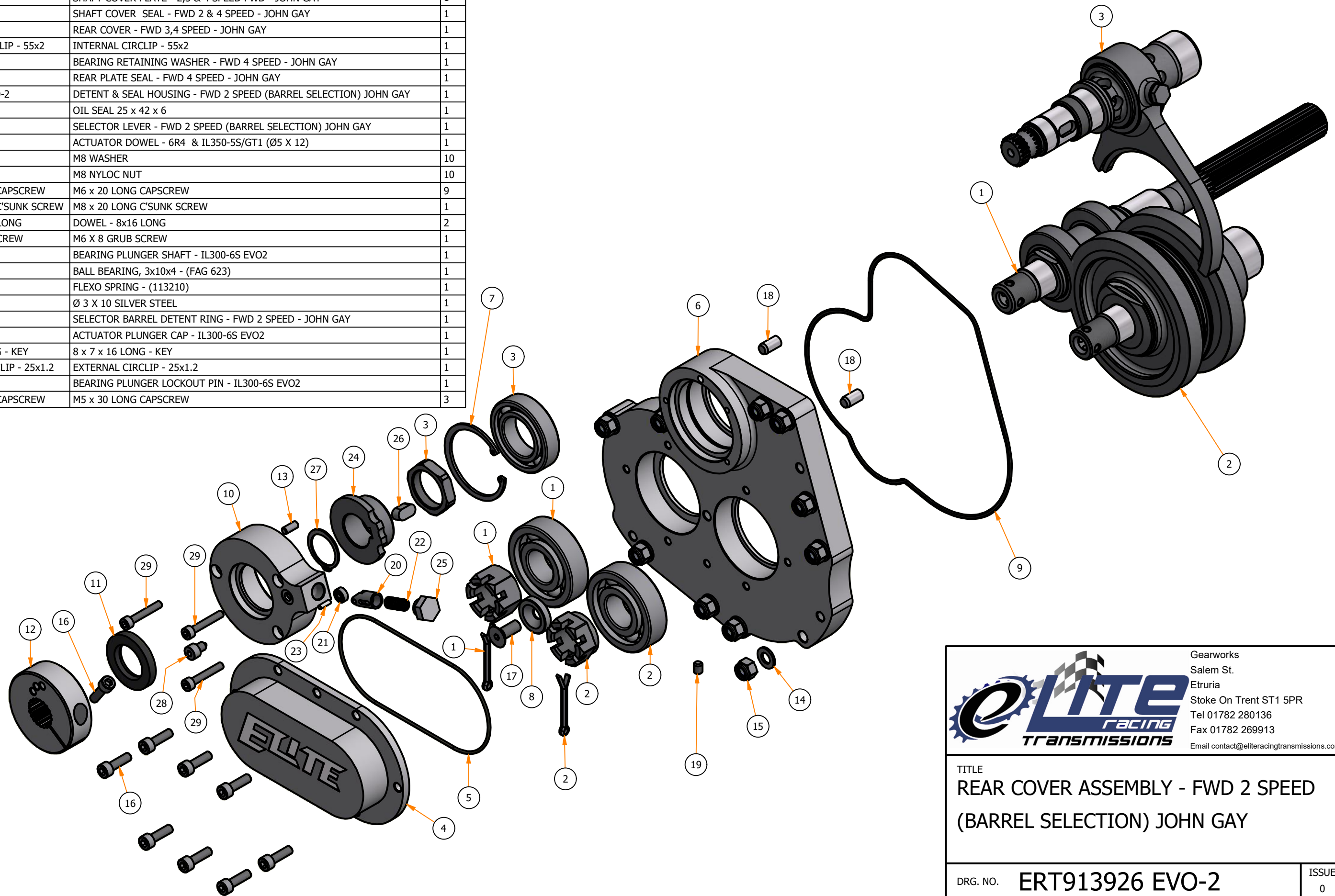


Parts List

ITEM	PART NUMBER	TITLE	QTY
1	ERT912940	INPUT SHAFT ASSEMBLY - FWD 2 SPEED- JOHN GAY	1
2	ERT912934	PINION SHAFT ASSEMBLY - FWD 2 SPEED - JOHN GAY	1
3	ERT913925 EVO-2	SELECTOR BARREL ASSEMBLY - FWD 2 SPEED (BARREL SELECTION) JOHN GAY	1
4	ERT112941	SHAFT COVER PLATE - 2,3 & 4 SPEED FWD - JOHN GAY	1
5	ERT612942	SHAFT COVER SEAL - FWD 2 & 4 SPEED - JOHN GAY	1
6	ERT112983	REAR COVER - FWD 3,4 SPEED - JOHN GAY	1
7	INTERNAL CIRCLIP - 55x2	INTERNAL CIRCLIP - 55x2	1
8	ERT312944	BEARING RETAINING WASHER - FWD 4 SPEED - JOHN GAY	1
9	ERT613177	REAR PLATE SEAL - FWD 4 SPEED - JOHN GAY	1
10	ERT113920 EVO-2	DETENT & SEAL HOUSING - FWD 2 SPEED (BARREL SELECTION) JOHN GAY	1
11	ERT613922	OIL SEAL 25 x 42 x 6	1
12	ERT413921	SELECTOR LEVER - FWD 2 SPEED (BARREL SELECTION) JOHN GAY	1
13	ERT810071	ACTUATOR DOWEL - 6R4 & IL350-5S/GT1 (Ø5 X 12)	1
14	M8 WASHER	M8 WASHER	10
15	M8 NYLOC NUT	M8 NYLOC NUT	10
16	M6 x 20 LONG CAPSCREW	M6 x 20 LONG CAPSCREW	9
17	M8 x 20 LONG C'SUNK SCREW	M8 x 20 LONG C'SUNK SCREW	1
18	DOWEL - 8x16 LONG	DOWEL - 8x16 LONG	2
19	M6 X 8 GRUB SCREW	M6 X 8 GRUB SCREW	1
20	ERT45616	BEARING PLUNGER SHAFT - IL300-6S EVO2	1
21	ERT65620	BALL BEARING, 3x10x4 - (FAG 623)	1
22	ERT816400	FLEXO SPRING - (113210)	1
23	ERT413192	Ø 3 X 10 SILVER STEEL	1
24	ERT416747	SELECTOR BARREL DETENT RING - FWD 2 SPEED - JOHN GAY	1
25	ERT38928	ACTUATOR PLUNGER CAP - IL300-6S EVO2	1
26	8 x 7 x 16 LONG - KEY	8 x 7 x 16 LONG - KEY	1
27	EXTERNAL CIRCLIP - 25x1.2	EXTERNAL CIRCLIP - 25x1.2	1
28	ERT86667	BEARING PLUNGER LOCKOUT PIN - IL300-6S EVO2	1
29	M5 x 30 LONG CAPSCREW	M5 x 30 LONG CAPSCREW	3




 Gearworks
 Salem St.
 Etruria
 Stoke On Trent ST1 5PR
 Tel 01782 280136
 Fax 01782 269913
 Email contact@eliteracingtransmissions.com

TITLE
**REAR COVER ASSEMBLY - FWD 2 SPEED
 (BARREL SELECTION) JOHN GAY**

DRG. NO. **ERT913926 EVO-2**

ISSUE
0