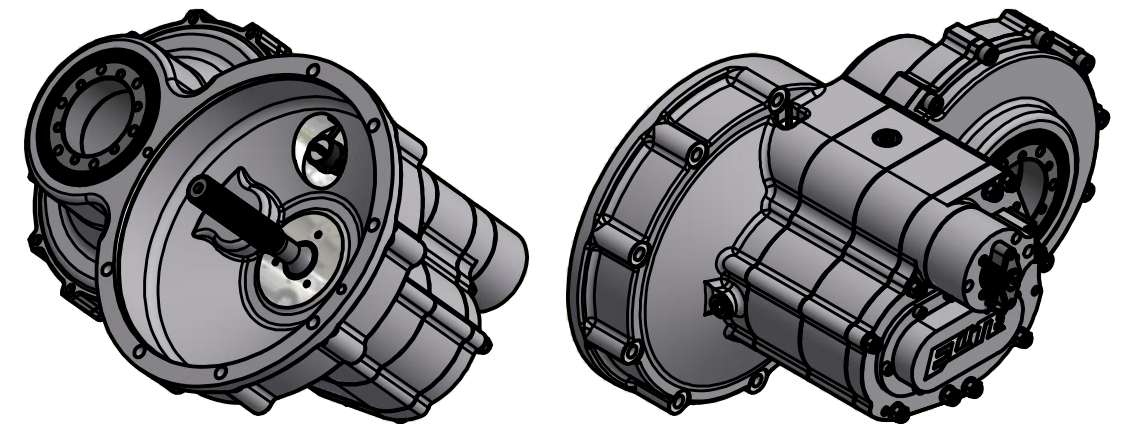
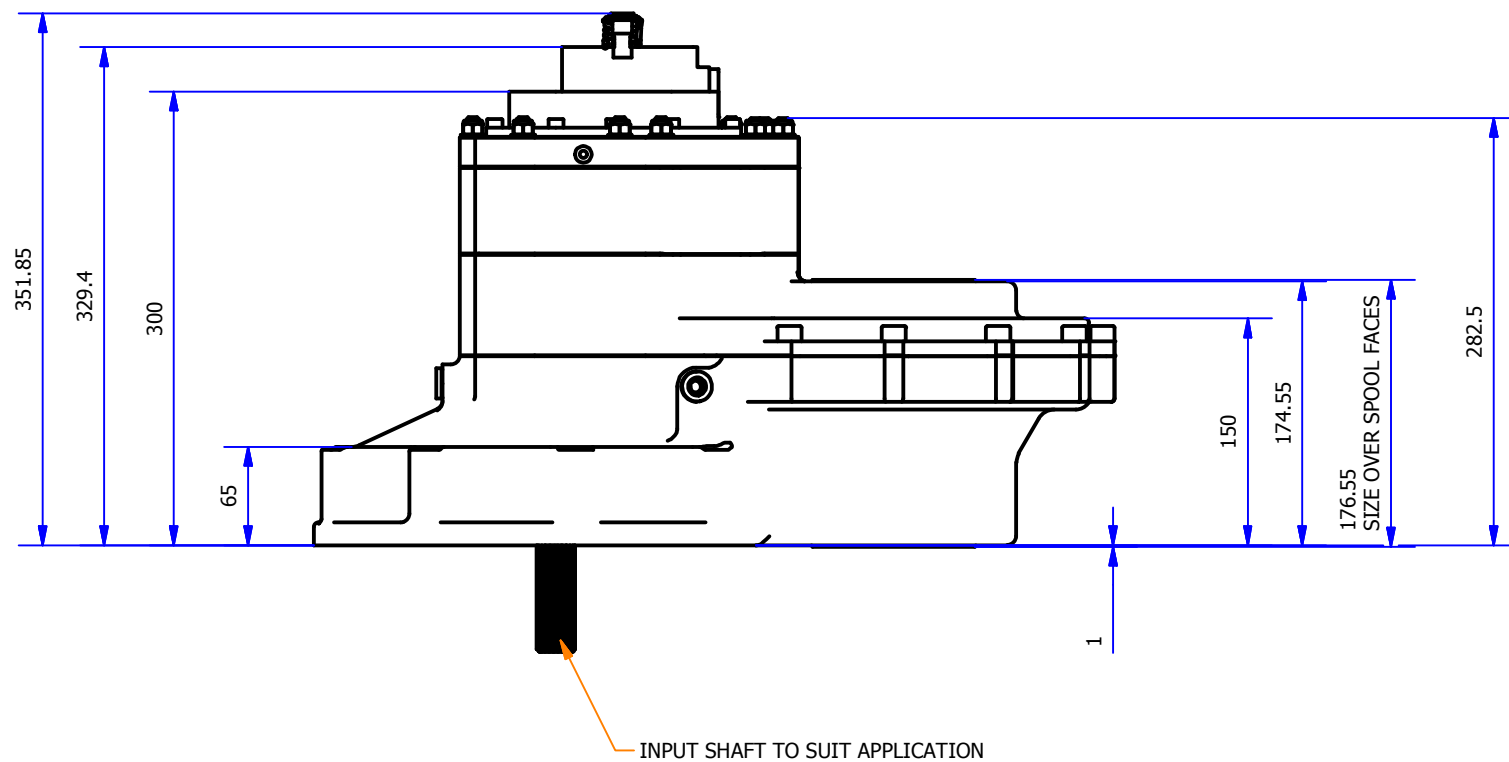
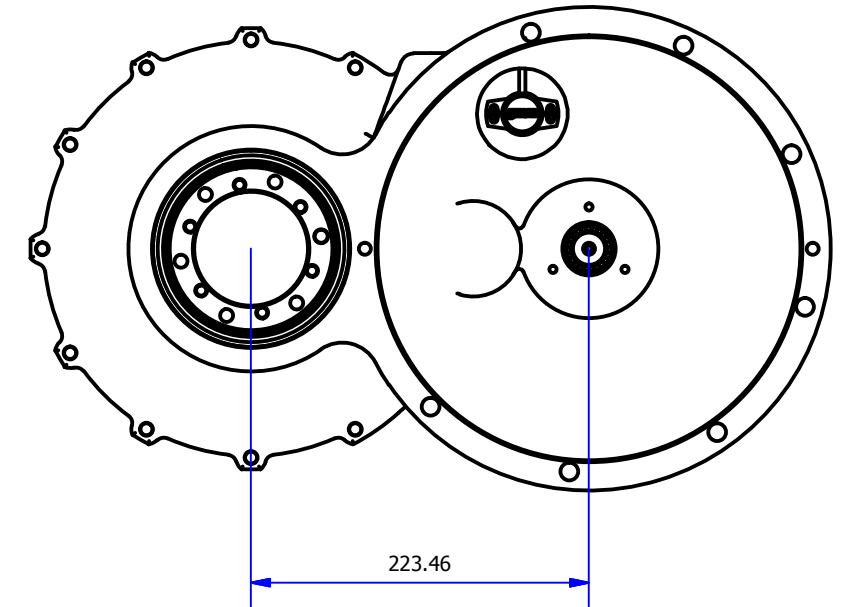
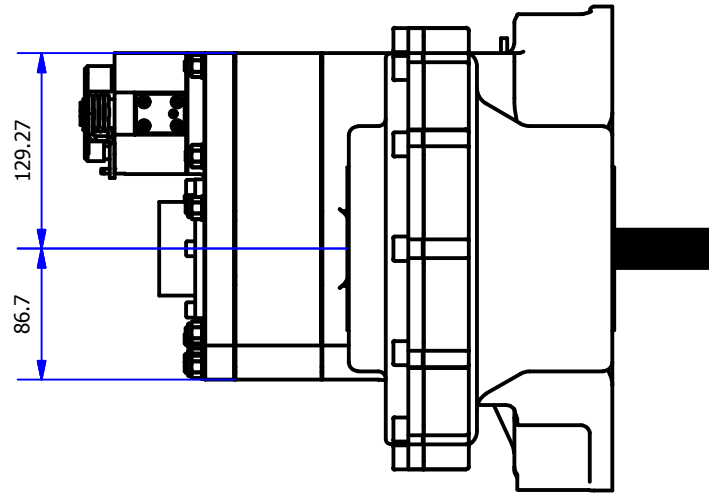
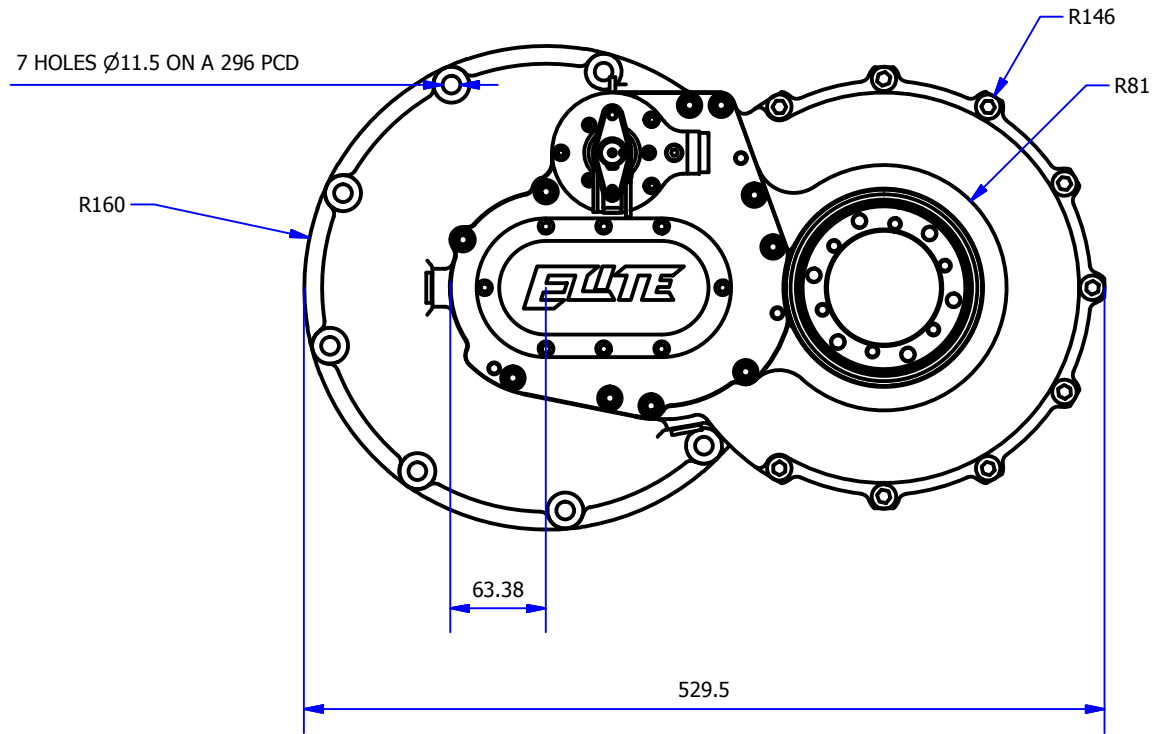


SELECTOR ARM MOVEMENT 18mm  
EITHER SIDE OF RESTING POSITION  
FOR UP AND DOWN SHIFT



Gearworks,  
Salem St.,  
Etruria,  
Stoke On Trent, ST1 5PR.  
Tel 01782 280136,  
Fax 01782 269913,  
Email [contact@eliteracingtransmissions.com](mailto:contact@eliteracingtransmissions.com)

TITLE  
FWD 4 SPEED (NO REV) SPOOL - JOHN  
GAY

DRG. No. ERT913188

Issue