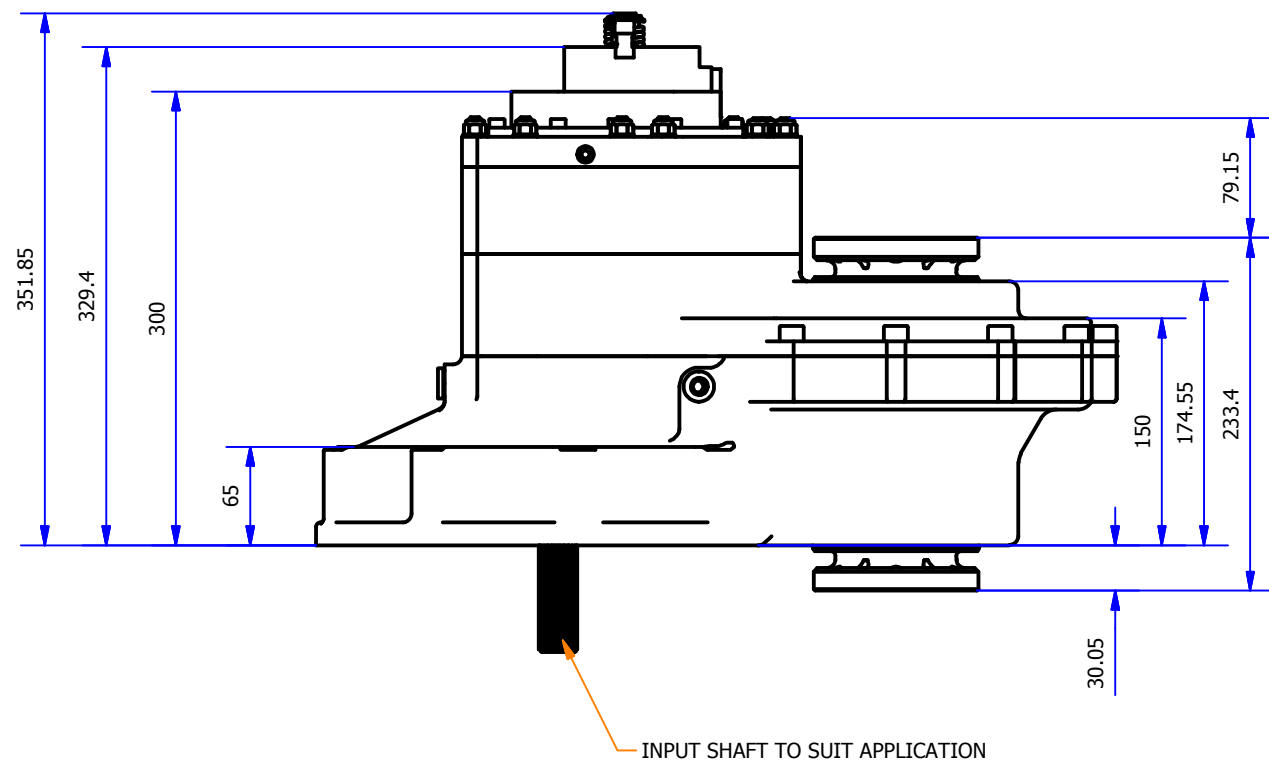
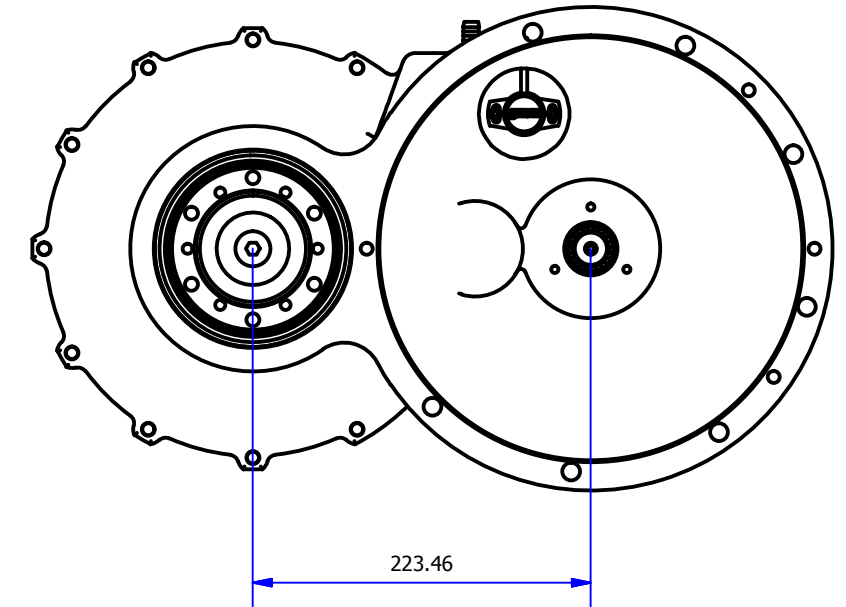
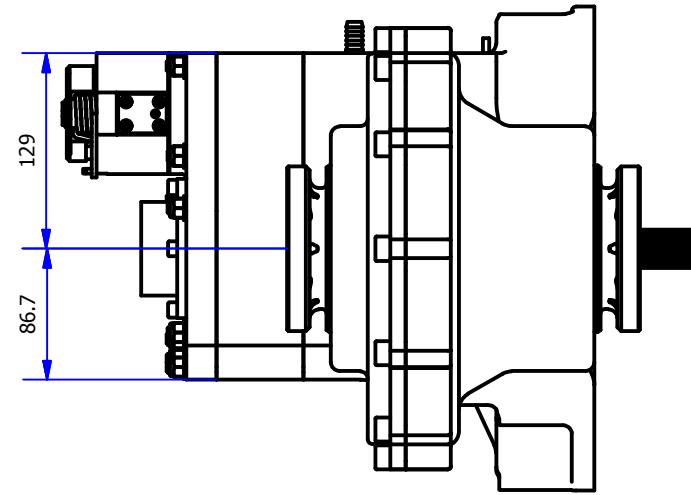
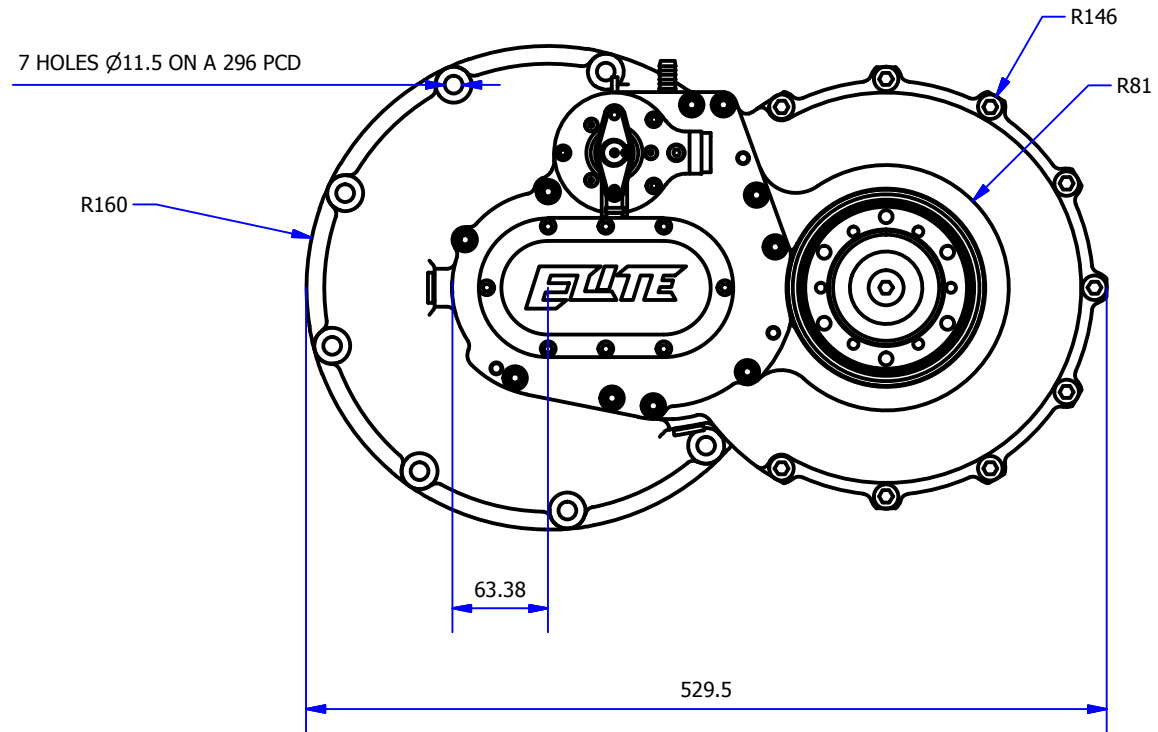
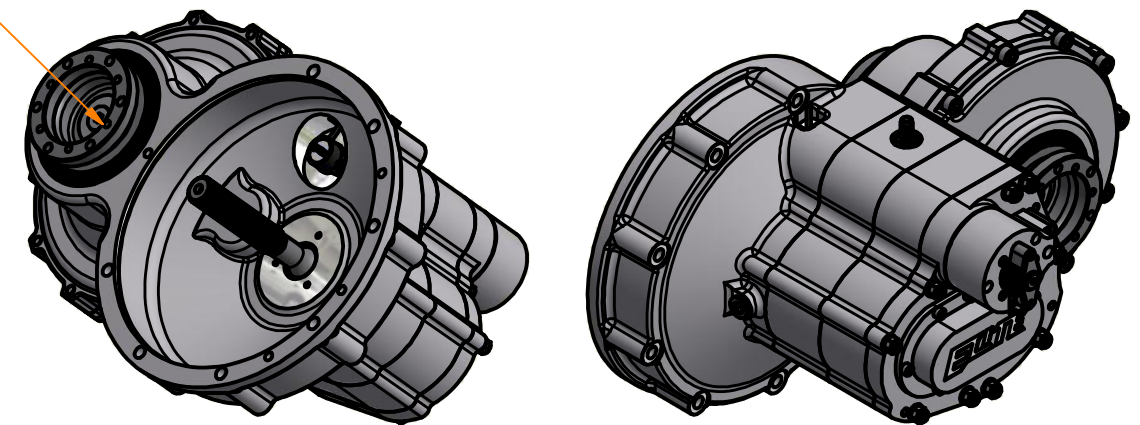


SELECTOR ARM MOVEMENT 18mm  
EITHER SIDE OF RESTING POSITION  
FOR UP AND DOWN SHIFT



100mm AND 108mm C.V. JOINT COMPATIBLE



Gearworks,  
Salem St.,  
Etruria,  
Stoke On Trent, ST1 5PR.  
Tel 01782 280136,  
Fax 01782 269913,  
Email [contact@eliteracingtransmissions.com](mailto:contact@eliteracingtransmissions.com)

TITLE  
FULL ASSEMBLY - FWD 3 SPEED + REV LSD  
- JOHN GAY

DRG. No. ERT912980

Issue