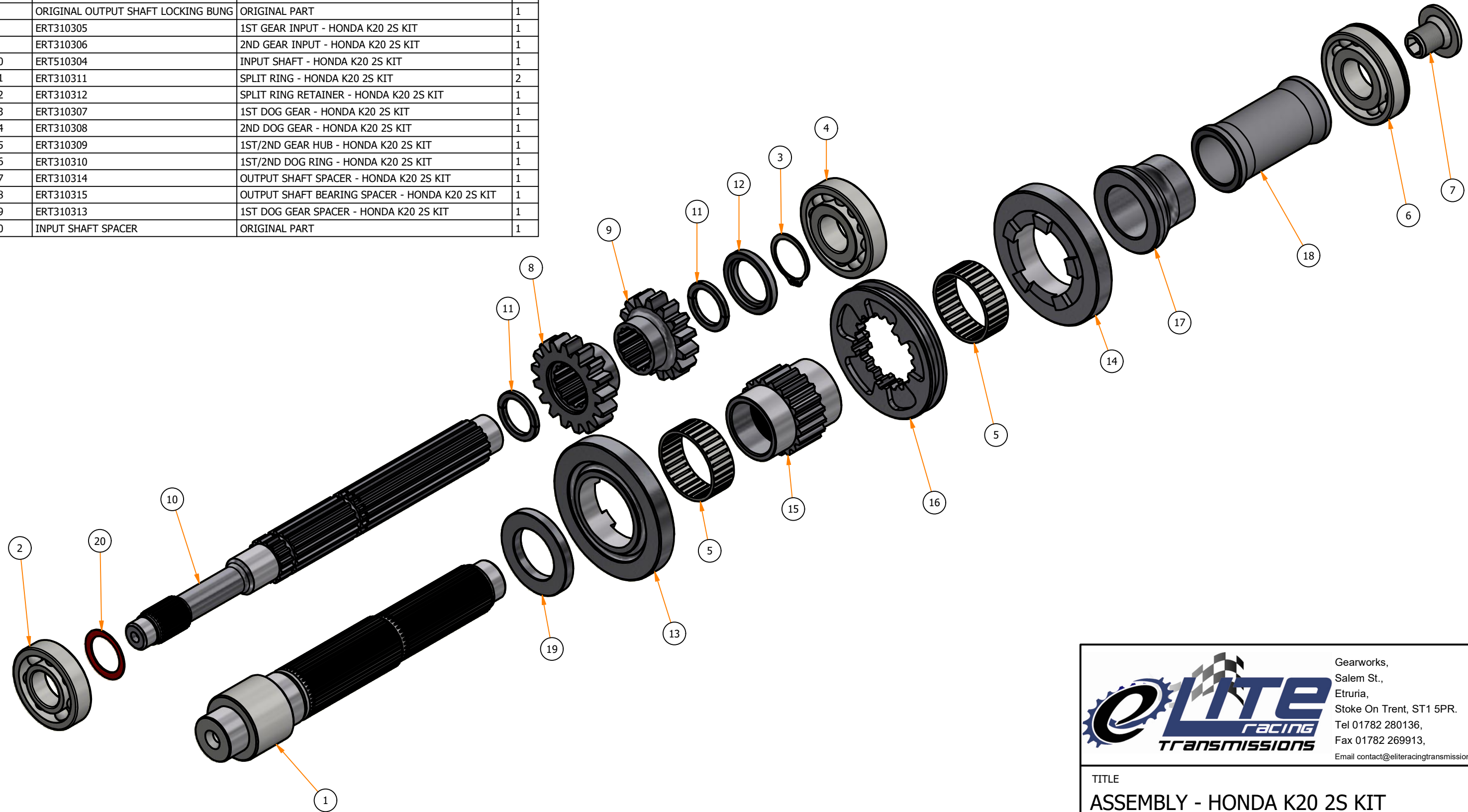


Parts List			
ITEM	PART NUMBER	TITLE	QTY
1	ORIGINAL OUTPUT SHAFT	ORIGINAL PART	1
2	INPUT SHAFT BEARING 28x64x15	ORIGINAL PART	1
3	ERT68289	EXTERNAL CIRCLIP FOR 33mm SHAFT	1
4	INPUT SHAFT BEARING 28x72x18	ORIGINAL PART	1
5	ERT64725	NEEDLE ROLLER BEARING - (50x55x20)	2
6	OUTPUT SHAFT BEARING 30x72x17	ORIGINAL PART	1
7	ORIGINAL OUTPUT SHAFT LOCKING BUNG	ORIGINAL PART	1
8	ERT310305	1ST GEAR INPUT - HONDA K20 2S KIT	1
9	ERT310306	2ND GEAR INPUT - HONDA K20 2S KIT	1
10	ERT510304	INPUT SHAFT - HONDA K20 2S KIT	1
11	ERT310311	SPLIT RING - HONDA K20 2S KIT	2
12	ERT310312	SPLIT RING RETAINER - HONDA K20 2S KIT	1
13	ERT310307	1ST DOG GEAR - HONDA K20 2S KIT	1
14	ERT310308	2ND DOG GEAR - HONDA K20 2S KIT	1
15	ERT310309	1ST/2ND GEAR HUB - HONDA K20 2S KIT	1
16	ERT310310	1ST/2ND DOG RING - HONDA K20 2S KIT	1
17	ERT310314	OUTPUT SHAFT SPACER - HONDA K20 2S KIT	1
18	ERT310315	OUTPUT SHAFT BEARING SPACER - HONDA K20 2S KIT	1
19	ERT310313	1ST DOG GEAR SPACER - HONDA K20 2S KIT	1
20	INPUT SHAFT SPACER	ORIGINAL PART	1



Gearworks,  
Salem St.,  
Etruria,  
Stoke On Trent, ST1 5PR.  
Tel 01782 280136,  
Fax 01782 269913,  
Email [contact@eliteracingtransmissions.com](mailto:contact@eliteracingtransmissions.com)

TITLE  
ASSEMBLY - HONDA K20 2S KIT

DRG. No. ERT910316

Issue  
0