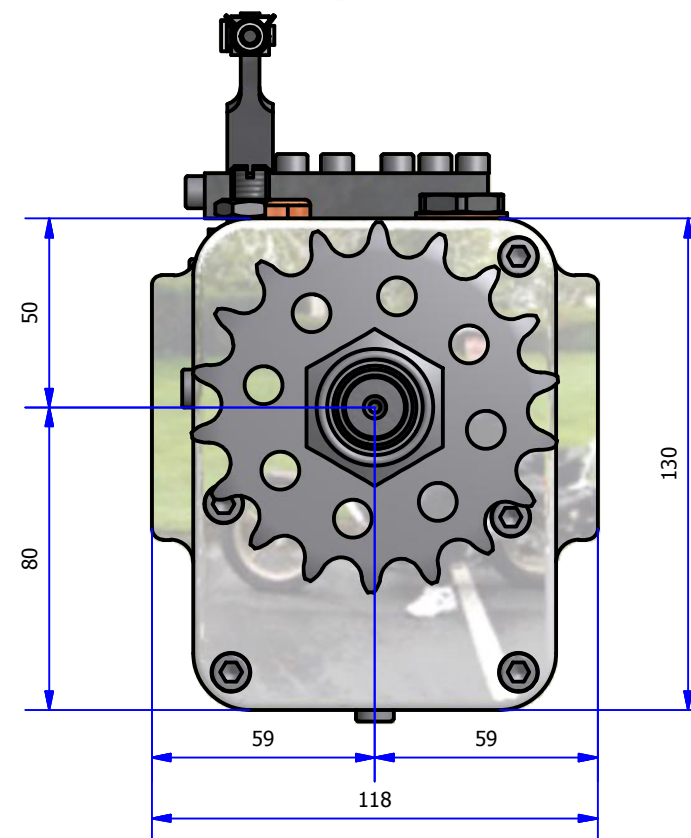


INTERNAL SPLINE DETAIL FOR REQUIRED SPROCKET; No. OF TEETH MAJOR DIA. MINOR DIA. (ALTERNATIVELY MANUFACTURER & MODEL OF BIKE THE SPROCKET IS FROM)



**eLITE**  
FACING  
TRANSMISSIONS

Gearworks,  
Salem St.,  
Etruria,  
Stoke On Trent, ST1 5PR.  
Tel 01782 280136,  
Fax 01782 269913,  
Email contact@eliteracingtransmissions.com

TITLE  
REVERSEING BOX ASSEMBLY - SPROCKET  
TO SPROCKET

DRG. No. ERT910274

Issue  
0