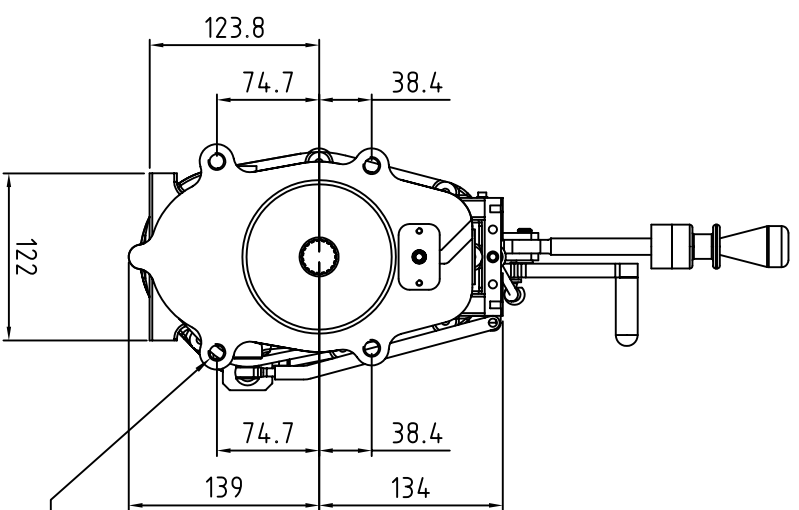
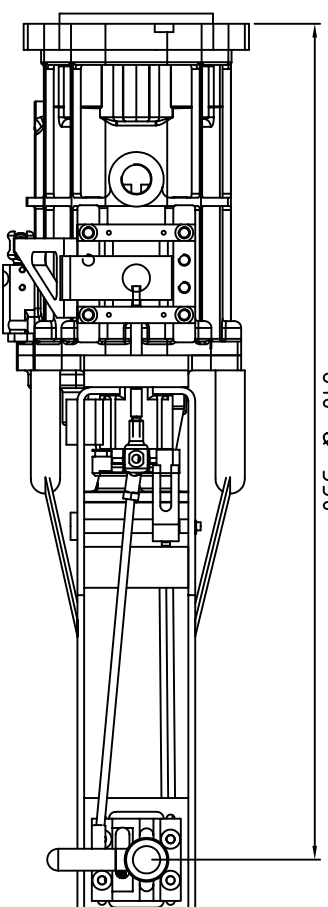
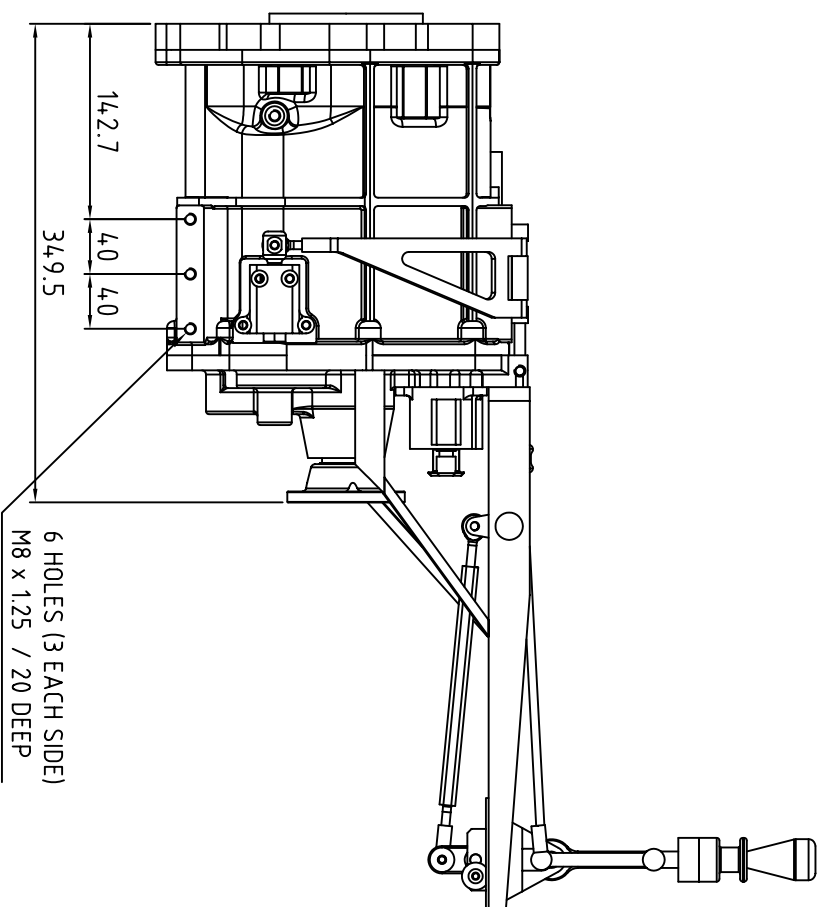


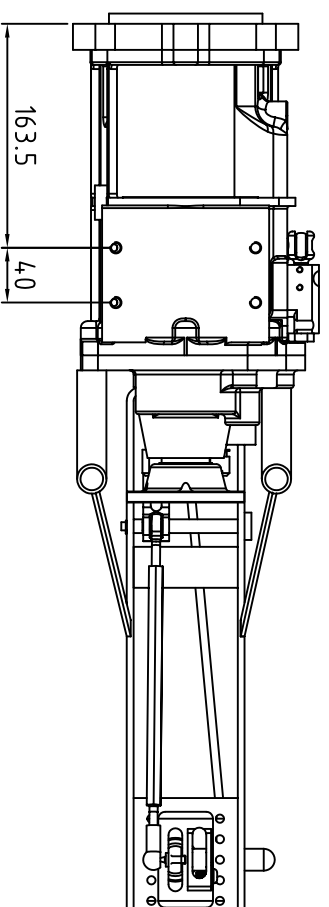
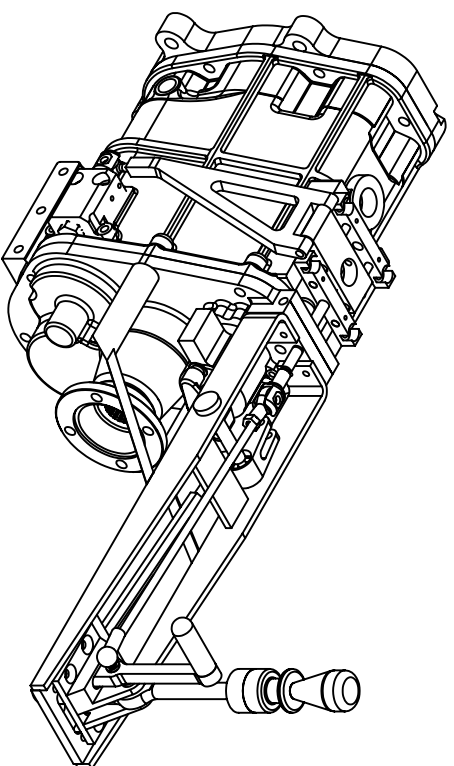
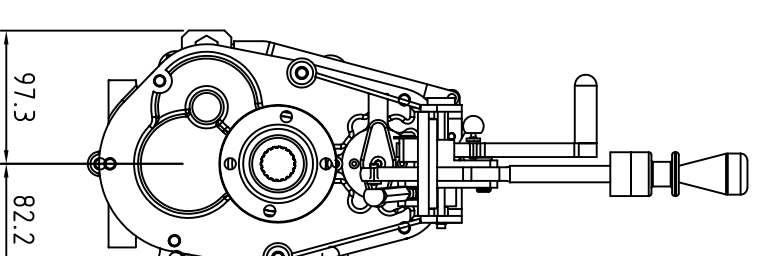
TWO SIZES
AVAILABLE
610 & 550



4 HOLES M12 x 1.75 THRO'
(SAME PATTERN AS TYPE 9)



6 HOLES (3 EACH SIDE)
M8 x 1.25 / 20 DEEP



ALL OVER U.S.

ALL UNSPECIFIED CHAMFERS TO BE 1 x 45°
ALL UNSPECIFIED RADII TO BE R1

UNLESS OTHERWISE STATED

TOLERANCES

ANGULAR = +/- 0° 0' 30"

DIMENSIONS = +/- 0.1mm = +/- 0.004"

SURFACE FINISH IN μ m

REMOVE ALL SHARP EDGES & BURRS

SCALE	1:4
DRAWN	D/FENTON
APPROVED	-
DATE	21-02-05

MATERIAL -

SURFACE HARDNESS

CORE STRENGTH

MIN -

MAX -

DO NOT SCALE

ELITE DESIGN & MANUFACTURING
GEAR WORKS, SALEM STREET, ETRURIA,
STOKE-ON-TRENT, ST1 5PR.
Telephone: 01782-280136 Fax: 01782-269913

TITLE
IL 200 GS
INSTALLATION DRAWING

DRG. No. ERT90684

ISSUE 1